



GERMAN TECHNOLOGY
MADE IN UAE

CORPORATE PROFILE



KLUDI RAK

"We Stand for Water Saving"

KLUDI RAK

"We Stand for Water Saving"

 800 KLUDI
55834

P O Box: 6679, Ras Al Khaimah, United Arab Emirates
Tel.: +971 7 243 4654 | Fax: +971 7 244 7759
Email: sales@kludirak.com | Web: www.kludirak.com
TOLL FREE: 800 KLUDI (55834)



kludirak.com



Quality Reflectes in Every Details



KLUDI
RAK

"We Stand for Water Saving"

UAE STORES IN RAK CERAMICS' SHOWROOMS

ABU DHABI 1

P O Box 44890, Mussafah Industrial Area, Opposite Al Hashem Marble, Abu Dhabi

Email: abushowroom1@kludirak.com

Tel.: +971 2 6314 893

Timings:
SAT-WED: 9:00 AM to 6:00 PM
THU: 9:00 AM to 2:00 PM

ABU DHABI 2

P O Box 44890, Salam Street, Opp. ADCB Head Quarters, Abu Dhabi

Email: donia@kludirak.com

Tel.: +971 2 6797 366

Timings:
SAT-WED: 8:00 AM to 9:00 PM
THU: 9:00 AM to 6:00 PM

AJMAN

P O Box 15743, Shaikh Khalifa Road, Near Gulfa Bridge, Ajman

Email: ajmanshowroom@kludirak.com

Tel.: +971 6 7418 087

Timings:
SAT-WED: 9:00 AM to 6:00 PM
THU: 9:00 AM to 2:00 PM

AL AIN

P O Box 18098, Sanaiya Road, Beside Lulu Hypermarket, Next to Peugeot Showroom, Al Ain

Email: alainshowroom@kludirak.com

Tel.: +971 3 7219 865

Timings:
SAT-WED: 9:00 AM to 1:00 PM,
4:00 PM to 8:00 PM
THU: 9:00 AM to 2:00 PM

DUBAI 1

P O Box 56023, Salahuddin Street, Near Muraqabat Police Station, Dubai

Email: dxbshowroom1@kludirak.com

Tel.: +971 4 2623 569

Timings:
SAT-WED: 9:00 AM to 6:00 PM
THU: 9:00 AM to 2:00 PM

DUBAI 2

P O Box 56023, Sheikh Zayed Road, Near Bentley Showroom, Dubai

Email: dxbshowroom2@kludirak.com

Tel.: +971 4 3384 287

Timings:
SAT-WED: 9:00 AM to 9:00 PM
THU: 9:00 AM to 7:00 PM

FUJAIRAH

P O Box 9058
Muhammed Bin Matar Street
Fujairah

Tel.: +971 9 2236355

Timings:
SAT-WED: 9:00 AM to 1:00 PM,
4:00 PM to 8:00 PM
THU: 9:00 AM to 2:00 PM

RAS AL KHAIMAH

P O Box 6679, Al Jazeera Al Hamra,
Ras Al Khaimah

Email: rakshowroom@kludirak.com

Tel.: +971 52 7860 498
+971 52 9928 276

Timings:
SAT-THU: 9:00 AM to 8:00 PM

SHARJAH

P O Box 28427, Al Omran Building,
Near Industrial Area 1,
Near Maza Signal, Sharjah

Email: shjshowroom2@kludirak.com

Tel.: +971 6 5338 236

Timings:
SAT-WED: 10:30 AM to 7:30 PM
THU: 10:30 AM to 3:30 PM

DUBAI PROJECTS SALES OFFICE:

102, Abdoli Building, Salahuddin Street, Al Khabaisi - 128, Deira, Dubai

Email: sales@kludirak.com | Tel.: +971 4 2623 569 | Timings: SUN-THU: 9:00 AM to 6:00 PM, SAT: 9:00 AM to 1:00 PM



For the locations of all showrooms,
scan the QR code or visit:

<https://www.kludirak.com/contact-us.html>

TOLL FREE: 800 KLUDI

CONTENTS

About the Company	4
Water saving.....	5
Vision and Mission.....	6
Parent Companies	7
Factory.....	8
Quality Statement.....	9
Certifications	10
Awards	11
Products.....	12
Projects - National.....	22
Projects - International.....	23
Dealer Network	32
Commitment.....	33
Aerators.....	34
Cross Section.....	35
Employees	36

ABOUT THE COMPANY

KLUDI RAK is a bathroom and kitchen fittings manufacturing company located in Ras Al Khaimah, UAE. Founded in 2008, the establishment is a joint-venture between a century-old award-winning, the pioneers of mixers, showers and accessories “Kludi” and award-winning, one of the largest ceramics’ brands in the world “RAK Ceramics”. KLUDI RAK offers complete bath and kitchen fittings solutions with a variety of products.

At KLUDI RAK, bath and kitchen faucets are much more than simple devices that dispense water for daily use. Each node is a sophisticated creation that embraces functionality and ergonomics that are dedicated to offer contemporary and elegant options to residential to industrial clients.

Innovation and Quality have always been at the heart of our philosophy and we are leading the way in terms of product quality and technology. Our impressive product range, which is made with high quality raw materials exclusively imported from Europe, comprises of precision-perfect fittings that are designed using the latest in European technology. Backed by Kludi’s nine decades of expertise in kitchen and bath fittings, KLUDI RAK has all the strengths combined to design and manufacture premium water-efficient products that are durable and consistent in quality.

With a portfolio of superior technology-based water-efficient products, KLUDI RAK is positioned to be one of the trendsetters that are redefining the concept of kitchen and bath fittings in the Middle East and across the globe.

KLUDI RAK continues to focus on developing products - which meet the needs of our customers and keep-up with the market trends. We care for the future of the world. We have deployed the technology which produces highest quality water-saving fittings that save water and energy by more than 60%.

Our achievements are our commitments and we are steadfast to deliver only the best to the world. We also celebrated a milestone in 2017 with the launch of our new global corporate brand identity, which reinforces our vision to become the world’s leading bathroom and kitchen fittings solutions provider.



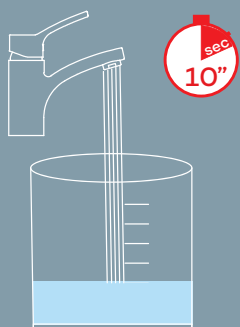
SAVE UP TO **75%** OF TAP WATER

WE STAND FOR WATER SAVING

Water is one of the most valuable and scarce resources that we have. At KLUDI RAK we believe in maintaining an ecological balance and hence we use only the best and highest quality water saving fittings that conserve water and energy.



With Water Saving



Without Water Saving



COLLECT YOUR FREE WATER MEASURING BAG

ADDED ADVANTAGES

- Maximum lime resistance.
- Maximum lifespan.
- Perfect stream quality even under different flow conditions.
- Very low noise level.
- Damage proof: unlike Conventional wire mesh screens, it can't be crushed.
- Integrated anti clogging dome screen which filters sediments and particles.
- Constant flow rate as per requirements can be achieved irrespective of input pressure.

VISION & MISSION

Our Vision is to be the company that best understands and satisfies the kitchen and bathroom fittings, service needs of consumers and conserve water for the future generations.

Our Mission is to make KLUDI RAK the most preferred brand for Bathroom and Kitchen Fittings by delivering outstanding value, continuous innovation and exceptional customer experiences by consistently fulfilling our Vision.

- To continually improve our performance
- To be the premier customer-oriented supplier of Innovative Water Saving technologies
- To partner with vendors that help us meet our customers needs
- To provide our associates with a work environment that promotes communication and opportunities for personal growth and career development
- To make a contribution to our communities, as individuals and as company
- To operate with integrity and achieve our mission in an ethical manner



PARENT COMPANIES

RAK

CERAMICS

RAK Ceramics PJSC (Ticker: RAKCEC: Abu Dhabi) is one of the largest ceramics' brands in the world and made its foray in 1989. Specializing in ceramic and gres porcelain wall and floor tiles and sanitaryware, RAK Ceramics produces 110 million square meters of tiles and 5 million pieces of sanitaryware per year at their 16 state-of-the-art plants across the UAE, India, Bangladesh and Iran.

Headquartered in the UAE, RAK Ceramics serves clients in more than 150 countries through their network of operational hubs in Europe, Middle East and North Africa, Asia, North and South America and Australia. Across the global operations, RAK Ceramics employ approximately 15,000 staff from more than 40 nationalities.

RAK Ceramics was the first company in United Arab Emirates being awarded with ISO 9001 certification for ceramics tiles and sanitary wares. Being a corporate member of EGBC (Emirates Green Building Council), RAK Ceramics supports the promotion and development of sustainable buildings in United Arab Emirates.

Organization's activities improve energy efficiency, reduce pollution, enhance biodiversity and improve the quality of life for both people in the communities it operates in and for its workforce. Sanitary ware division is committed to developing eco-friendly products with a particular focus on water saving (33% saved in water consumption using the latest flush systems in water closets).



ROOM FOR IMAGINATION



Kludi begun manufacturing bathroom fittings using traditional methods of craftsmanship from 1926. Followed by high-quality, reliable fixtures of timeless design; this expertise formed the foundation of Kludi. From the tradition as a faucet specialist, the goal was created to combine the highest quality of use and perfect design in a unique way. Thus, the claim Water in Perfection finds unmistakable expression in the products as well as in all services Kludi provides for the customers.

Kludi never compromises on quality and is fully committed to sustainable international expansion. Their aim is to satisfy the customers' requirements and surpass their expectations with innovative ideas that deliver lasting value and perfect products.

Kludi is a leading bathroom and kitchen fittings suppliers in 20 countries and has 5 international production facilities. Kludi has 14 subsidiaries and 80 distribution partners in more than 60 countries around the world and its products are used in over 100 countries. Kludi has over 1000 employees worldwide.

KLUDI has been honoured with well over 20 international design prizes in the past few years, including the "Most Innovative Brand" by PLUS X AWARD. The award "Most Innovative Brand of the Year 2015" is the highest honour given by the Plus X Awards and recognises the innovative power of a company.



Kludi Cockpit Discovery

STATE-OF-THE-ART FACTORY

We have set up a sophisticated and modern manufacturing unit which is spread over on approximately 12000 sq meters of area. The factory has deployed the fully automated state-of-the-art modern sand-core machines which ensure consistent product quality in accordance with European standards EN817. The highly advanced fully automated computerized machines implemented in the plant are capable of performing various precision tasks in one cycle. The factory also has the state-of-the-art one-of-its-kind electro-plating plant in the region. The fully automated and totally computer-controlled plant ensures the highest quality mirror finish surfaces. All KLUDI RAK products are subjected to 3 coat electro-plating: semi bright nickel, bright nickel and finally chromium plating resulting a 12.3 microns thick plating that meets the highest standard available in the industry. The plant also has a laboratory which ensures that all chemicals and all affluence conform to prescribed standards.

Apart from these, we have a large and capacious warehouse that keeps and stores all the finished products in a systematic and organized manner.

With international certifications for products and processes, KLUDI RAK not only confirms to the requirements, but also exceeds the quality, protection and safety regulations issued by the certifications authorities.

KLUDI RAK also plans to upgrade, which will position our factory as one of the most advanced in the MENA and Indian Subcontinent. We are constantly on the lookout of new technology that will allow us to produce an expanded portfolio of water-saving bathroom and kitchen fittings out of this facility and better serve our customers.

To date, KLUDI RAK enjoys a total production capacity of one million products per year, and is the sole company in the GCC region that manufactures a range of faucets and mixers entirely within its production facility.





QUALITY REFLECTS IN EVERY DETAIL

KLUDI RAK is committed to deliver the most enchanting and timeless products without compromising on materials or workmanship, which in turn guarantees a level of quality, which is unsurpassed in any market. Functionality and ergonomics are the keys to designing KLUDI RAK bath and kitchen masterpieces. They also comply with the international standards for quality and aesthetics.

Our philosophy is to provide products designed and engineered with you in mind. We care about the ongoing life and functionality of our products, and are committed to continuous Research, Innovations & Development. KLUDI RAK commitment to quality and style means that you can select from our vast range of innovatively designed products to enhance your surroundings, and be ensured of a lifetime satisfaction. Each of our products is crafted to the highest standard. This same commitment to quality is inherent in all of the products that we create for you.

AFTER SALES SERVICE

Our after-sales service plays an important role in customer satisfaction and customer retention. We have built a lifetime value for our products and services and use the after-sales service to build long-term customer relationships by being proactive and empathetic. Our strong customer relationships maintains a two-way dialogue after a sale. By establishing better communication, we listen to customers and proactively offer or co-create solutions to their issues. The rapid response team for prompt grievance handling in our HQ monitors every call closely to ensure hassle-free service to the customers.

We ensure our customers gets everything from our products, value for money along with accessible and painless after-sales service. Evolved customer expectations and preferences have catapulted us to actively devise strategic ways to offer better after-sales services. We want long-term associations with our customers and hence, to serve the new-age customers, we have focused on strong well-trained distribution networks who offers technical support with ease and ensures a rapid response.

CERTIFICATIONS

KLUDI RAK operates under international certifications that demonstrate its dedication to manufacturing quality products under strict regulations.

DVGW Certification

DVGW CERT GmbH is the largest gas and water industry certification body in Europe, covering all the certification procedures required in the gas and water sectors. The main objective of all certification work is to ensure that there are no safety, hygiene or environmental objections to the products and companies certified. The DVGW CERT certification system ensures proven quality and safety on the basis of the DVGW standards and other recognized technical standards and test specifications.

ISO 9001:2015

ISO 9001:2015 is the international standard that specifies requirements for a quality management system (QMS). Organizations use the standard to demonstrate the ability to consistently provide products and services that meet customer and regulatory requirements. ISO 9001:2015 is based on the plan-do-check-act methodology and provides a process-oriented approach to documenting and reviewing the structure, responsibilities, and procedures required to achieve effective quality management.

SASO Quality Mark

The SASO Quality Mark is an important means to guide consumers to products that conform to Saudi Arabian standards. Through the Quality Mark, products gain customers' satisfaction and trust.

Emirates Green Building

The Emirates Green Building Council (EmiratesGBC) was formed in 2006, with the goal of advancing green building principles for protecting the environment and ensuring sustainability in the United Arab Emirates.

SONCAP

The Standards Organisation of Nigeria (SON) is the apex standardization body in Nigeria.

WRAS

WRAS is a subscription membership company limited by guarantee and was incorporated on 4 August 2008. The purpose of WRAS is to contribute to the protection of public health by preventing contamination of public water supplies and encouraging the efficient use of water by promoting and facilitating compliance with the Water Supply (Water Fittings) Regulations and Byelaws.

Emirates Authority for Standardization and Metrology

Emirates Authority for Standardization and Metrology (ESMA) was established as the sole Standardization Body in the UAE. The body issues conformity certificate for Water Fixtures Products complying with the UAE Assessment Scheme (ECAS) according to the technical requirements of the cabinet resolution No. 43 for the year 2014.

ADQCC

Abu Dhabi Quality and Conformity Council (QCC) is an Abu Dhabi government entity established in accordance with Local Law No. (3) of 2009 to raise the quality of Abu Dhabi's exports and products traded locally. QCC consists of a council of regulators and industry with a mandate to ensure provision of quality infrastructure in line with global standards.

Supplier Certificate from UAE Ministry of Infrastructure Development



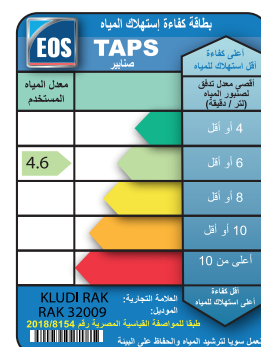
AWARDS

KLUDI RAK has recently been accorded with the Abu Dhabi Trust Mark Trophy by Abu Dhabi Quality and Conformity Council for its commitment towards to meeting safety and quality standards. The award is the official endorsement on the quality-statement of KLUDI RAK by ADQCC - which showcases the KLUDI RAK's tireless efforts to provide the continuous superior quality products to its clients.



WATER EFFICIENCY COMPLIANCE

KLUDI RAK's products have been issued with the Water Efficiency Label from SASO Water Efficiency Labeling Programme of Saudi Arabia, Emirates Authority for Standardization and Metrology (ESMA) of the UAE and Egyptian Organization For Standardization & Quality (EOS) of Egypt. KLUDI RAK is amongst the first companies to have 5-star ratings from ESMA and A-grade ratings from SASO for its products.



 Available Finishes





PRODUCTS



BASIN MIXER



RAK14000-01
Single Lever Basin Mixer DN-15
Ceramic Cartridge: K35
Cache Aerator M 24 x 1
1/2" High Pressure Flexible Hose with PEX Tubes
Pop up Waste: 1 1/4"
European Standard: EN 817



RAK130100-01
Single Lever High Raised Basin Mixer DN-15
Ceramic Cartridge: K35
Cache Aerator M 24 x 1
1/2" High Pressure Flexible Hose with PEX Tubes
European Standard: EN 817



RAK12028-01
Side Single Lever Basin Mixer DN-15
(with swivelling spout)
Ceramic Cartridge: K35
Cache Aerator M 16.5 x 1
1/2" High Pressure Flexible Hose with PEX Tubes
Pop up Waste 1 1/4"
European Standard: EN817

PRODUCTS



BATH & SHOWER MIXER



RAK14102

Single Lever Bath & Shower Mixer DN-15
(without shower set)

Ceramic Cartridge: K41

S-pointer Aerator M 24 X 1

Automatic Diverter: Shower to Bathtub

Shower Outlet: G 1/2"

Protected Against Back Flow

S-unions 1/2 x 3/4"

European Standard: EN 817



RAK11005

Single Lever Shower Mixer DN-15

Ceramic Cartridge: K35

Shower Outlet: G 1/2"

Protected Against Back Flow

S-unions: 1/2 x 3/4"

European Standard: EN 817



RAK13005

Single Lever Shower Mixer DN-15

Ceramic Cartridge: K41

Shower Outlet: G 1/2"

Protected Against Back Flow

S-unions 1/2 x 3/4"

PRODUCTS



KITCHEN MIXER



RAK11010-01
Single Lever Sink Mixer DN-15
Ceramic Cartridge: K35
Swivelling: 360°, Spout L-260 mm
Aerator: M 24 x 1
1/2" High Pressure Flexible Hose with PEX Tubes
European Standard: EN 817



RAK17050-01
Single Lever Sink Mixer DN-15
Swivelling U Spout
Ceramic Cartridge: K35
PCA Aerator M 22 x 1
1/2" High Pressure Flexible Hose with PEX Tubes
European Standard: EN 817



RAK10028SU
Wall Mounted Single Lever Sink Mixer DN 15
Ceramic Cartridge: K35
Swivelling: 185°, U Spout l: 186 mm
Aerator: M 22 x 1
S-unions: 1/2 x 3/4"
European Standard: EN 817

PRODUCTS



SHOWER RANGE



RAK6761005
 1S Shower Set
 FIZZ
 Wall Bar with Floating Slider and Shower Hose
 Shower Hose: G 1/2" x G 1/2" x 1600 mm
 Length: 600 mm
 FIZZ 1S Hand-held Shower
 Including:
 Quick Lime Deposit Cleaning System
 Soap Dish
 Screws and Dowels



RAK48003
 Dual Shower System L-shape
 Wall Fastening
 Hand and Head Shower
 Swivel Head Shower
 Two-way Ceramic Divertor
 with 1S Hand Held Shower 1/2"
 Ridgeless Adjustable Shower Holder
 Vertically and Cylindrically Adjustable Shower Holder
 Shower Hose: 1/2" x 1/2" x 1600mm
 Length: 1160 mm
 with Fixing Kit

PRODUCTS



ACCESSORIES



RAK24007
Glass Holder



RAK24004
Paper Holder



RAK21003
Towel Ring



RAK21008
Soap Dish



RAK21006
Sponge Basket



RAK32007
Shattaf



RAK21032
Toilet Brush Holder



RAK21020
Towel Shelf

PRODUCTS

**RAK3200702**

ABS chrome Shattaf with
Ceramic Shut-off valve
Connection 1/2 inch
Silver hose G1/2 x G 1/2 x 1200mm
with dirt catching sieve

**RAK3200701**

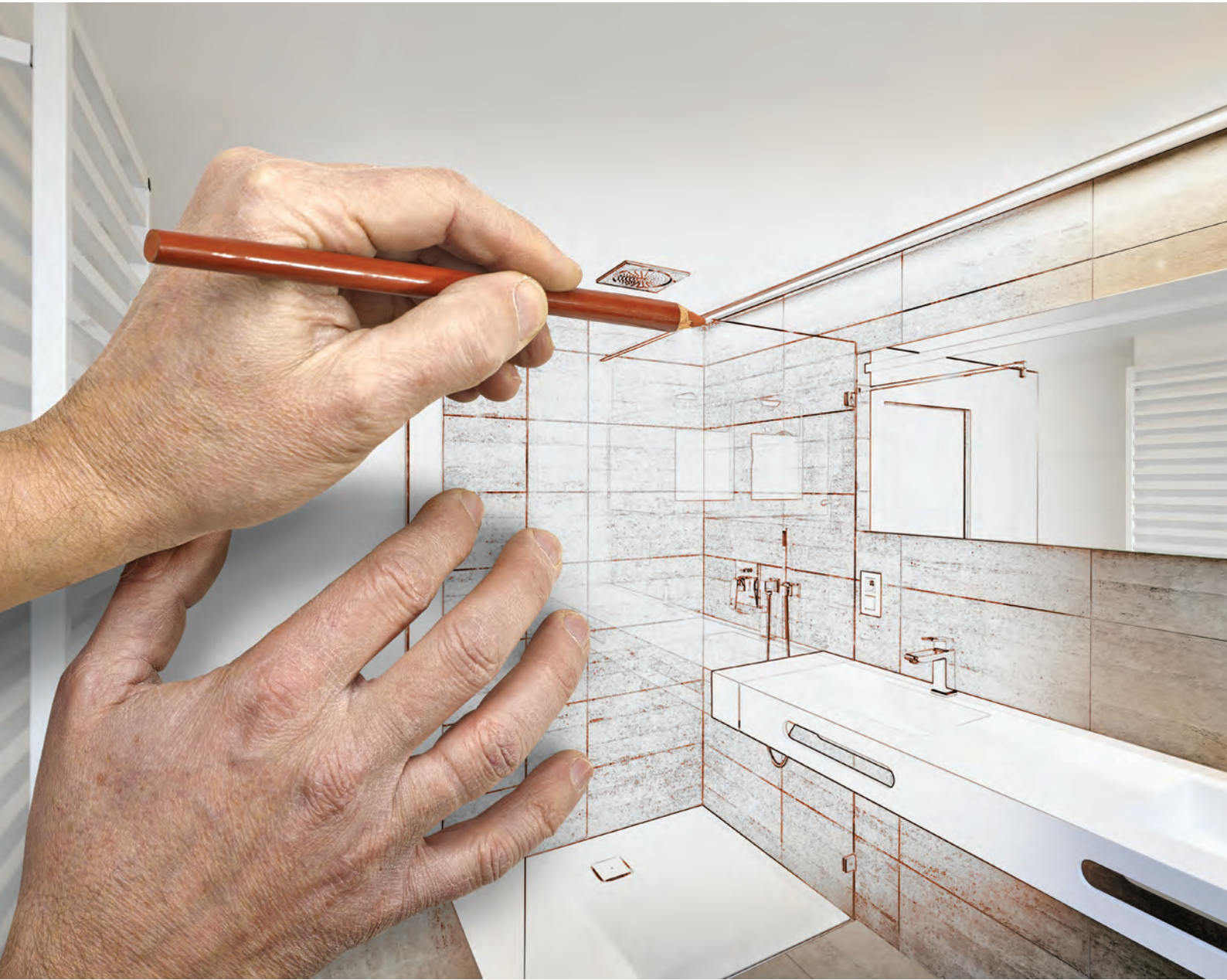
ABS chrome Shattaf with
Concealed single lever mixer,
pre installation kit DN15
Connection 1/2 inch
Silver hose G1/2 x G 1/2 x 1200mm
with wall bracket
with dirt catching sieve

**RAK3200703**

ABS chrome Shattaf with
Single lever shattaf mixer DN 15
ceramic cartridge-K35
flow class B
shower outlet G 1/2"
protected against back flow
S- unions 1/2 X 3/4 inch
European standard- EN 817



PROJECTS



Our success in each project, whether national or international, is the solutions & quality we deliver. We offer the best innovative solutions that realize our motto "Save Water". After the completion of each project we undertake, there is a satisfied client – one who will ask us back for the next project and recommend us to others. We are a National company with a truly international reach. Our market horizons are expanding at a great pace and it speaks well for our quality and solutions.

PROJECT LIST- NATIONAL

HOTELS



Golden Tulips - Tecom, Dubai
 Jadaf - Jadaf, Dubai
 Ramada - Ajman
 Blue Diamond Al Salam Palace - Fujairah
 See View, Palm Jumeirah - Dubai
 Double Tree - Ras Al Khaimah and Dubai
 Ibis and Novotel - Fujairah
 Courty Yard Marriot Hotel
 The One Hotel, By First Group
 Carlton Bubai Creek
 Hampton By Hilton

Marjan Island Hotel and Spa - Ras Al Khaimah
 Waldorf Astoria - Ras Al Khaimah
 Accacia Hotel - Ras Al Khaimah
 Ritz Carlton - Ras Al Khaimah
 Rixos Bab Al Bahr - Ras Al Khaimah
 Hilton Garden Inn. - Ras Al Khaimah
 Mont Rose by Daayar - Dubai
 Dubai
 Dubai
 Dubai
 RAK

TOWERS



Boulevard Point By Emaar - Dubai
 Zee Zee Tower, Al Barsha - Dubai
 Zahia Garden Apartments - Sharjah
 Musherrif Tower - Ajman
 Cornish 5 Twin Tower - RAK
 Cornish 6 Tower - RAK
 The Bridges
 Julphar Residence Tower
 MID-Town By Deyar@IMPZ
 Mina @ Palm Jumeriah By AZIZI

Fujairah Welfare Residential Building - Fujairah
 Sapphire 1 and 2 - Dubai
 Al Khail Heights - Dubai
 Golf Oasis - Sharjah
 Seimens Headquarter - Abu Dhabi
 Marina Bay - Abu Dhabi
 By Aldar - Abu Dhabi
 By RAK Properties - Abu Dhabi
 Dubai
 Dubai

VILLAS



Neighborhood 2 Residence - Masdar City, Abu Dhabi
 Dubai Municipality, 260 Villa Project - Meydan, Dubai
 Sheikh Zayed Housing, 190 Villas - Al Quoz, Dubai
 Sheikh Zayed Housing, 232 Villas - Umm Al Quwain
 Sheikh Mohamed Bin Zayed City, 1100 Villas - Fujairah
 Ainal Fayde Emirate Houses, 2000 Villas - Al Ain
 Dubai Municipality, 190 Villas - Al Quoz, Dubai
 Ministry of Public Works, 300 Villas - Ajman
 Living Legend 500 Villas - Al Barari, Dubai
 Sharjah Water Front By Ajmak Makan
 208 Villas Sheikh Zayed Housing

Residential Complex, 220 Villas - Al Ain
 Hydra Village, 582 Villas - Abu Dhabi
 Zahia Villas Phase 2 - Sharjah
 Sheikh Zayed Housing, 306 Villas - Ajman
 Mohamed Bin Rashid Housing Est.,
 346 Villas - Hatta, Dubai
 Presidential Affairs, 1500 Villas - Fujairah
 Reem Mira by Emaar, 1582 Villas - Dubai
 Sharjah
 Ajman

PROJECT LIST - NATIONAL

■ THE BRIDGES	ABU DHABI	■ SHARJAH WATER FRONT	SHARJAH
■ 250 EMIRATI VILLAS COMPLEX @ AL SAMHA	ABU DHABI	■ AL SERKAL TOWER	SHARJAH
■ JULFAR RESIDENCE TOWER	ABU DHABI	■ AL OJAN TOWER	SHARJAH
■ SHAMS REFLECTION @ AL REEM	ABU DHABI	■ 33 VILLAS WADI AL HILO	SHARJAH
■ YAS VILLAGE STAFF ACCOMMODATION	ABU DHABI	■ AL ANNOOD TOWER	SHARJAH
■ EMIRATI HOUSING NEIGHORHOOD 306 VILLAS	AL AIN	■ VISION TOWER	AJMAN
■ EMIRATI HOUSING NEIGHORHOOD 204 VILLAS	AL AIN	■ 208 VILLAS SHEIKH ZAYED HOUSING	AJMAN
■ J-ONE TOWER BY DURAR PROPERTIES	DUBAI	■ NESTO COMPLEX	AJMAN
■ COURTY YARD MARRIOT HOTEL	DUBAI	■ HUMAN APPEAL OFFICE BLDG.	AJMAN
■ REMAL TOWER	DUBAI	■ MIRKAAZ MALL	AJMAN
■ SANAD VILLAGE REHABILITATION CENTER	DUBAI	■ BOULE VARD OFFICE BLDG.	AJMAN
■ SILICON PARK	DUBAI	■ BAIT AL KHAIR CHARITY BLDG.	AJMAN
■ 16 BUIDLINGS AL SAFA	DUBAI	■ Bateen Al Samar Villa Complex Phase	RAK
■ THE ONE HOTEL ,BY FIRST GROUP	DUBAI	■ 1 & 2 - Sheikh Zayed Housing Programme	RAK
■ KH RESIDENCE @ DIP	DUBAI	■ HAMPTON BY HILTON	RAK
■ AL GHURAIR PROJECTS 56 BUILDINGS	DUBAI	■ UNIESTATE LIVING BAY	RAK
■ UNA APARTMENTS (NSHMI TOWN)	DUBAI		
■ AURA By Azizi	DUBAI		
■ MINA @ PALM JUMERIAH by AZIZI	DUBAI		
■ MID-TOWN BY DEYAR @ IMPZ	DUBAI		
■ NEURO SPINAL HOSPITAL @ BARSHA	DUBAI		
■ CARLTON DUBAI CREEK 4STAR HOTEL	DUBAI		
■ DUBAI MUNICIPALITY VILLAS @ JUMERIHA	DUBAI		

PROJECT LIST - INTERNATIONAL

■ Ministry of Housing - Jizan, Saudi Arabia	■ Siseel Hotel - Amman, Jordan
■ South Border Housing Project - Jizan, Saudi Arabia	■ Military Institute (CMW Project) - Zarqa, Jordan
■ 100-bed Hospital - Jizan, Saudi Arabia	■ Nahr El Bared - Beirut, Lebanon
■ Sharoura Housing Project - Sharoura, Saudi Arabia	■ Gardenia Housing - Cairo, Egypt
■ Ministry of Defense & Aviation - Khamis Mushayt, Saudi Arabia	■ Al Ma'sara - Helwan, Egypt
■ National Guard Project - Dammam, Saudi Arabia	■ Rayan Hotel - Addis Ababa, Ethiopia
■ National Guard Project - Riyadh, Saudi Arabia	■ Folla Residence - Tunis, Tunisia
■ Sang Hospital - Riyadh, Saudi Arabia	■ Palm Lake Resort - Sousse, Tunisia
■ Military Housing Project - Tabouk, Saudi Arabia	■ Eco Hotel - Lagos, Nigeria
■ Thakher City - Mecca, Saudi Arabia	■ Cafe Javas - Kampala, Uganda Nairobi, Kenya
■ Behbehani Motor Pool Garage - Kuwait City, Kuwait	■ Grand Hayatt Hotel - Mumbai, India
■ Avenues Facility Department - Kuwait City, Kuwait	■ Gohar Green City - Karachi, Pakistan
■ NHA Housing Project - Safat, Kuwait	■ Aman Garden - Karachi, Pakistan
■ Sheikh Al Jaber Al Hamad Cultural Center - Kuwait City, Kuwait	■ Roshan Heaven - Karachi, Pakistan
■ Dhofar Beach Resort - Dhofar, Oman	■ Askary Housing Society - Islamabad, Pakistan
■ National Mass Housing - Muscat, Oman	■ Combined Military Hospital - Dhaka, Bangladesh
■ Rotana Extension - Salala, Oman	■ Vakkaru Island Resort - Maldives
■ Ministry of Housing Project - Manama, Bahrain	■ Golden Tulip Hotel - Bishkek, Kyrgyzstan
■ Al Najaf Stadium - Najaf, Iraq	■ Rahman and Sons Hotel Apartment - Afghanistan



Dubai Frame - Dubai



Reflection A&B Towers - Abu Dhabi



The Bridge- Abu Dhabi



Ajman One Tower -Ajman



Seimens Headquarters- Abu Dhbai



Julphar Tower- RAK

NATIONAL PROJECTS

Waldorf Astoria - Ras Al Khaimah





Golden Tulip Hotel - Dubai



Ibis Hotel - Fujairah



Zee Zee Tower - Dubai

NATIONAL PROJECTS

Mecca Tower - Saudi Arabia





Grand Hyatt - Mumbai, India



Eko Hotel - Lagos, Nigeria



Rotana Hotel - Salalah, Oman

INTERNATIONAL PROJECTS



Thakher City - Mecca, Saudi Arabia





Avenues Facility Department - Kuwait



Folla Residence - Tunisia



Gardenia Housing - Cairo, Egypt

INTERNATIONAL PROJECTS

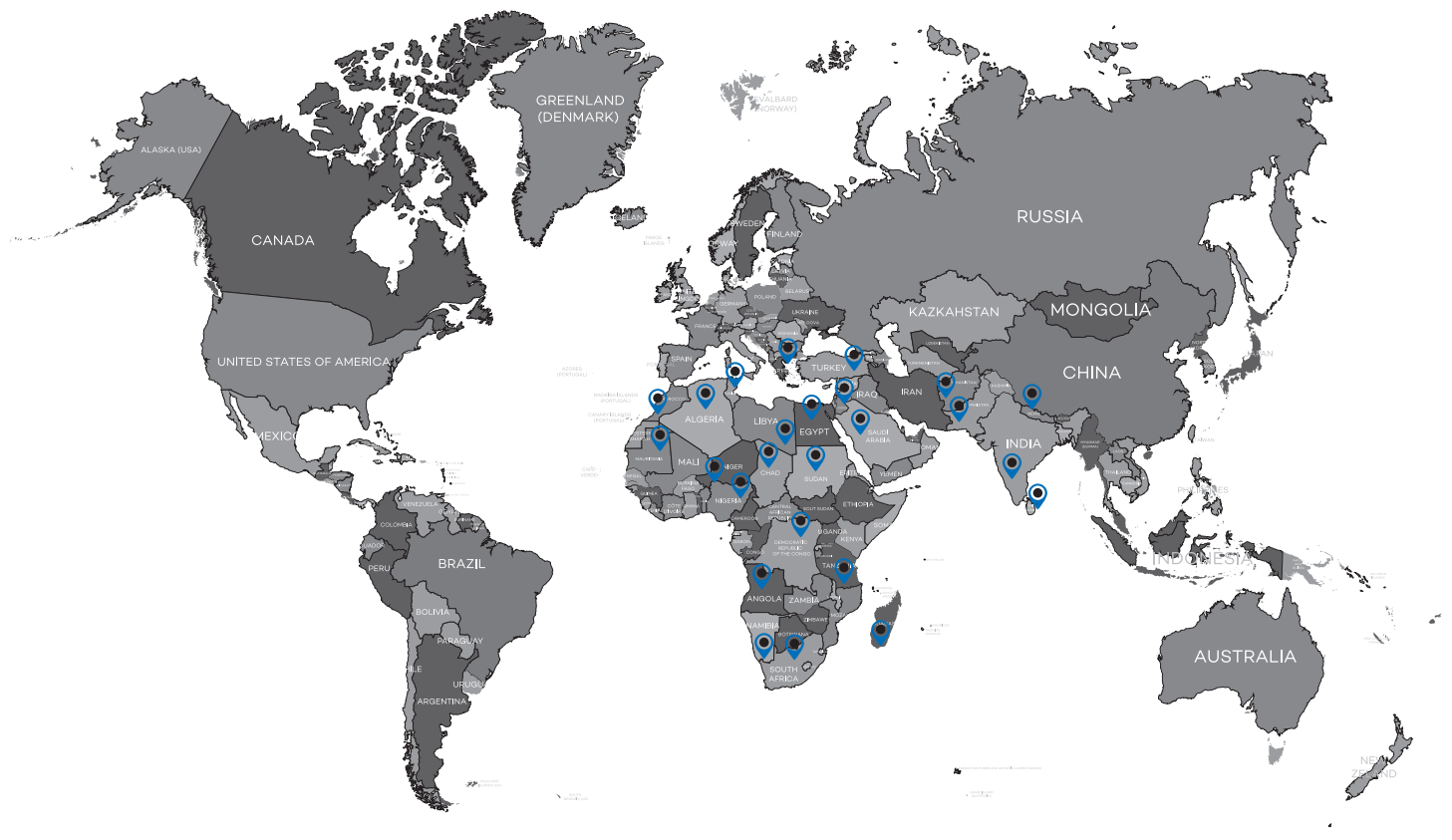


DEALER NETWORK



MORE THAN 30 COUNTRIES

MIDDLE EAST, AFRICA & INDIAN SUBCONTINENT



Whatever our group does, good relations are vital to working together well. Close interactions make all the difference between a motivated and dynamic group or one feeling lethargic and lost. Relationship that work for everyone involved will make our group more effective and more fun. Dealers and distributors provide that personal relationship that builds loyal customers and, ultimately, increases sales.

Our dealers are incredibly important to our success. We have a system of high-end communication and technical training for our dealers. We consider our dealers as loyal advocates for our brand and we help them to be successful. We provide them with mutually beneficial tools and resources that help them become stronger business people, more knowledgeable brand experts and better sellers. Our after-sales support is termed as the most outstanding and was possible with the help of our valued dealers.

We always take a great initiative to ensure the bond between the KLUDI RAK team and our ever-growing dealer network by organizing conferences, technical training and briefing sessions and dealer meet events.

KLUDI RAK has 10 showrooms and 60 outlets across the UAE, and more than 90 distributors in 30 countries in the Middle East, Africa and Indian subcontinent. KLUDI RAK has plans to expand its reach and increase production in the near future.

COMMITMENT



KLUDI RAK is dedicated to providing quality products. Each and every piece is carefully inspected for perfection in the workmanship throughout the production process. Only the highest quality components imported from Germany and other European countries are used. All faucets are fitted with cartridges having ceramic disks and Flexible hoses with PEX tube inside to ensure a long trouble-free life.

All our products are highly resistance to erosion, and long-lasting quality. Our products are backed with extensive warranty programs and aftermarket service. Our substantial warranty program is a grandeur testament to our quality commitment.

We are so confident in our benchmark standards that we offer 10 YEARS of warranty on our entire mixers product range - a feat that stands unrivalled by any competitor in the market.



AERATORS

FAUCET AERATOR

KLUDI RAK uses a Pressure Compensating Aerator which is a key component of every faucet, and is integrated into the spout at the front which forms the water jet. Usage of Aerators makes it possible to Save Water up to 60% which limits the flow of water to a considerable level and also avoids splashing.



FLOW REGULATOR

KLUDI RAK fittings can also be incorporated with various types of flow regulators, which maintain a minimal and continual flow rate regardless of pressure fluctuations. Steady distribution of water is an essential requirement in commercial and institutional installations.



Added Advantages

- Maximum lime resistance
- Maximum lifespan
- Perfect stream quality even under different flow conditions
- Very low noise level
- Damage proof: unlike conventional wire mesh screens, it cannot be crushed
- Integrated anti clogging dome screen which filters sediments and particles
- Constant flow rate as per requirements can be achieved irrespective of input pressure

S-POINTER AERATOR

KLUDI RAK fittings can be incorporated with "S" pointer aerators that make it possible to adjust the jet angle directly on the fitting itself. The advantage is that individual adjustments can be made to the jet to suit every form of wash basin, be it upwards to a shallow outlet angle or downwards in a steeper angle.



ATOMIZER TRIPLE JET-AERATOR

KLUDI RAK fittings can be incorporated with ATOMIZER Triple Jet-Aerators, which is integrated into the spout at the front and forms the water jet. Usage of this makes it possible to achieve Water Saving of 90%.



Long Life Technology

These special ceramic cartridges have an effortless movement that fulfils the endurance tests under EN817 with 210,000 cycles without any damage

كلودي راك والتكنولوجيا الطويلة الأمد
خراطيش المياه الخاصة مع اقراص سيراميك لديها حركة
جهد التي تلبية اختبارات التحمل تمت EN817 مع
210,000 دورة دون أي عطل

Plastic parts which are in accordance with KTW/W270, WRAS, KIWA and DVGW standards

كلودي راك تستخدم فقط قطع بلاستيكية آمنة وفقاً
لموافقات KTW, WRAS/W270, WRAS, KIWA,
DVGW

The stainless steel braiding on the outer of the Flex Hose and the Pex Tube inside ensure hygiene safety conforming to the DVGW, KIWA, CSTB and WRAS standards

كلودي راك تستخدم خراطيش مياه مرنة من السแตนلس
استئبل مقاومة للصدأ لضمان النظافة بمطابقة
DVGW, KIWA, WRAS, CSTB

3-layers plating of Semi Bright Nickel, Bright Nickel and Chrome - measuring minimum 12.3 microns thickness

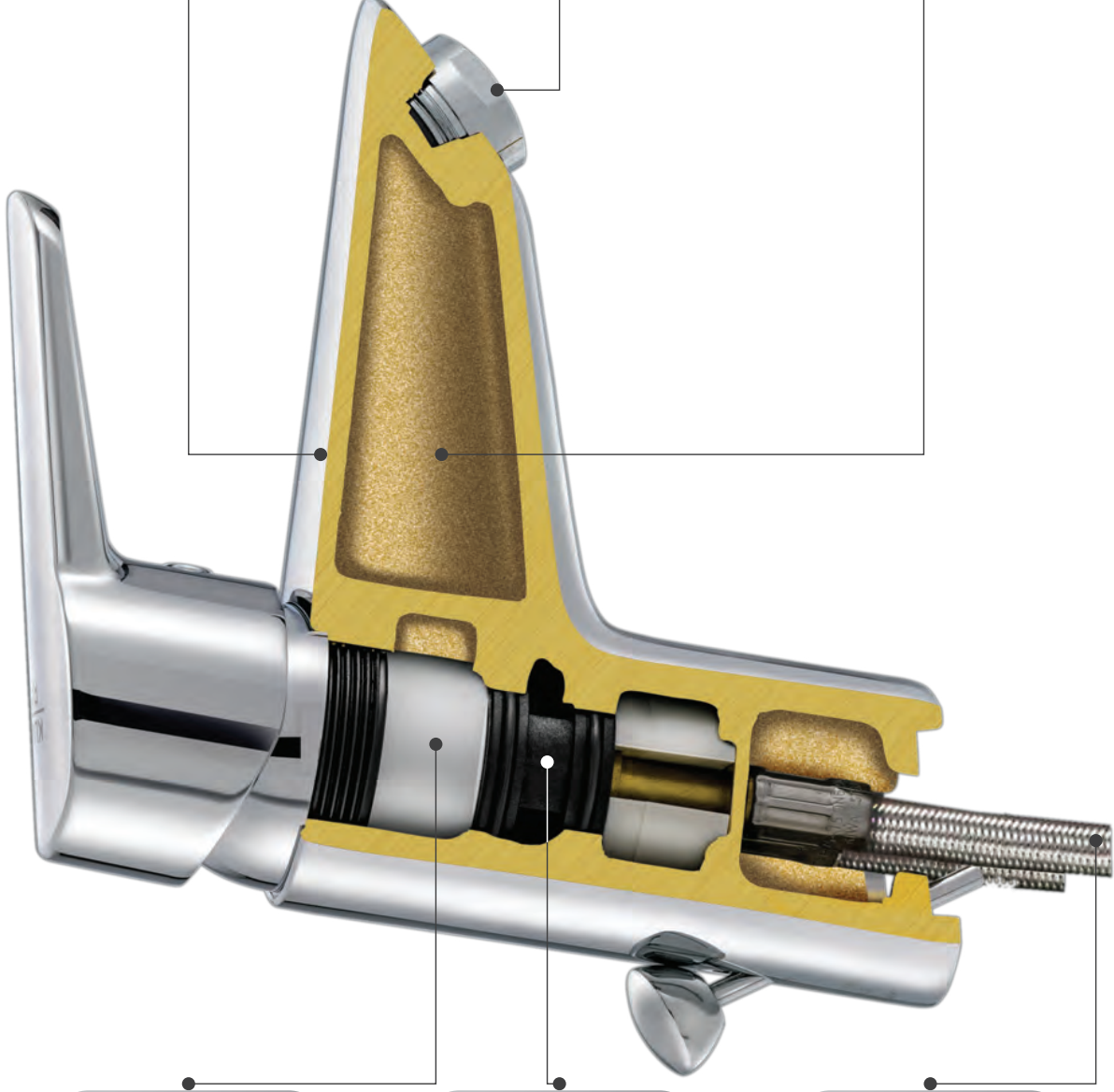
كلودي راك تحافظ على ثلاث طبقات من طلاء النيكل
الشبه لامع، واللامع و طبقة من الكروم بهدف الحصول
على سماكة 12.3 ميكرون من الطلاء

The innovative aeration solutions for drinking water regulate the flow-rates, protect water from contamination and conserve water by up to 60%

حلول مبتكرة لمياه الشرب عن طريق جهاز التهوية
وتنظيم معدلات التدفق وحماية المياه من التلوث والحد
من استهلاك المياه

Brass as per European Drinking Water Standards

كلودي راك تستخدم نحاس تصنع الخلطات وفقاً لمعايير
مياه الشرب الأوروبية



CROSS-SECTION

EMPLOYEE STRENGTH

An organization is only as strong as its combined parts, like any organic system. Our effective team is one that has cohesion; build on Openness, Trust and Respect. We communicate with our employees constantly to motivate and activate result-oriented performances. All employees have strengths - the unique combinations of talents, knowledge, skills, and practice that help them do what they do best every day. We provide our employees with their greatest opportunities for success. We have succeeded beyond limits and here we stand!

We understand the language of our people and reciprocate with timely recognitions for their efforts. A decade of bondage is never impossible when the relationship keeps growing. At KLUDI RAK, it's no secret, that recognition is the rule for the myriad contributions.

KLUDI RAK employs more than 250 employees from various nationalities.



WE STAND FOR WATER SAVING



SAVE UP TO

75%

OF TAP WATER



KLUDI
RAK

"We Stand for Water Saving"