

# TECHNICAL DATASHEET

Reference: RAK90211

Product: Double Tissue Roll Holder



**RAK90211**  
Stainless Steel

## Product Description:

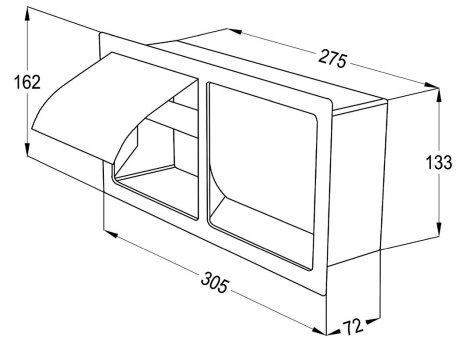
Double Tissue Roll Holder  
Die stamped  
Face plates have flared edges  
With screws and dowels  
Recessed  
305 x 72 x 162 mm

## Advertisement:

- \* KLUDI RAK LLC item no. RAK90211
- \* S. S Satin finish (Grade 304)

Double Tissue Roll Holder, KLUDI RAK LLC item no. RAK90211, Face plates have flared edges and snaps firmly into wall housing. Die stamped dispensing area has hemmed edges to prevent injury and tissue tearing. Size: L 305 mm, H 162 mm, W 72 mm

## Line Drawing:



RAK90211 online

4/11/2021

**KLUDI**  
**RAK**  
"We Stand for Water Saving"