

Product: Head shower DN15

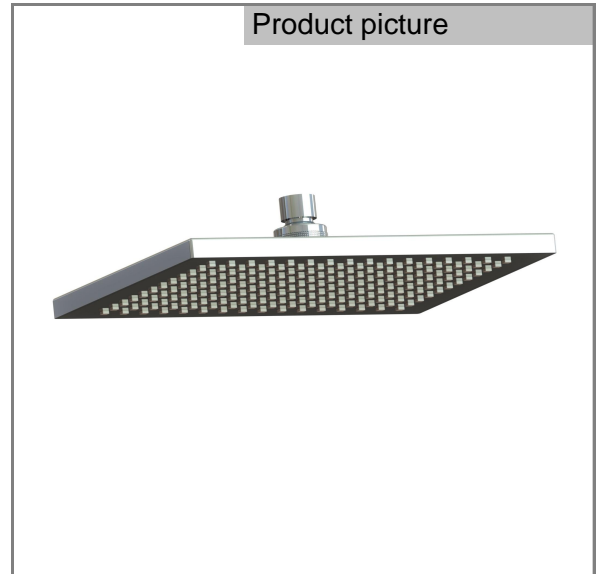
Ref.: RAK22056

Product description

headshower DN 15
 260 mm x 200 mm
 with big size shower rain
 with cleaning system
 with ball joint 1/2 inch female thread
 with dirt catcher sieve
 without shower arm 1/2 inch

Finishes:
 05 chrome plated

Product picture

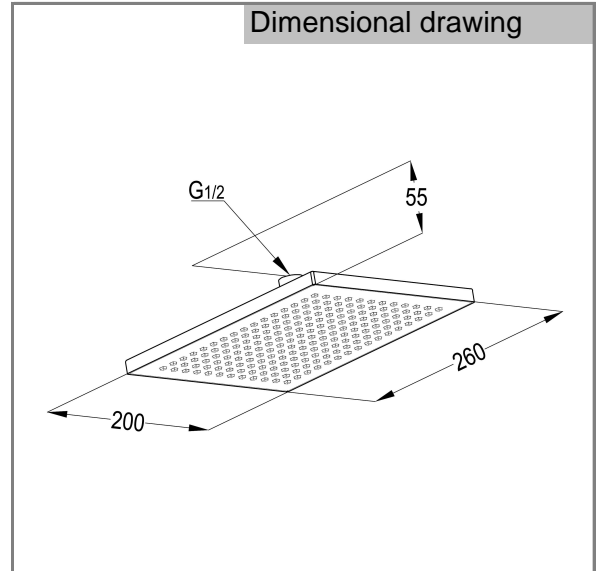


Advertisement

- * KLUDI RAK headshower item no. RAK22056
- ** chrome plated brass / plastic

headshower, manufacturer type KLUDI RAK head shower part no. RAK22056 DN15, chrome plated brass /plastic, flow rate at 3 bar max. 0.35 l/s, size : H=55 mm / W 200mm / L= 260 mm, with swivel ball joint 1/2 inch female thread, with quick action lime cleaner and 188 spray holes, pre-assembled filter packing, for use with wall-mounted shower or with ceiling shower arm, PN5.

Dimensional drawing



Flow rate diagram

