

TECHNICAL DATASHEET

Reference: RAK11012

Product: Overhead shower 200 mm



RAK11012

chrome

Product Description:

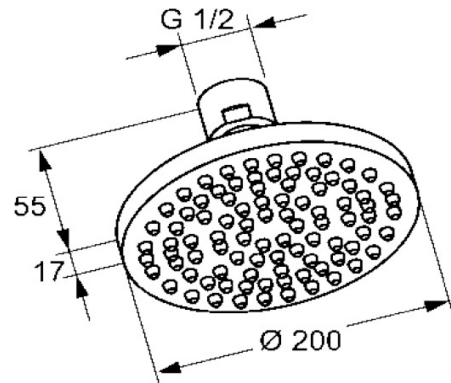
overhead shower DN 15
200 mm
with swivel ball joint
1/2 inch female thread
without shower arm

Advertisement:

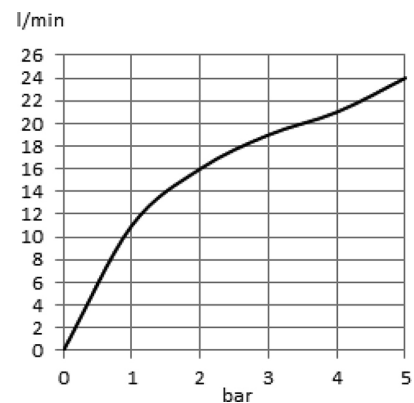
- * KLUDI RAK LLC overhead shower item no. RAK11012
- * chrome plated brass/plastic
- * accordance to DIN EN 1112

overhead shower, manufacturer KLUDI RAK LLC
overhead shower item no. RAK11012, DN 15, chrome
plated brass/plastic, flow rate at 3 bar maximum 0.63
ltr/second, noise level DIN EN 4109 group I, without
report no., diameter overhead shower 200 mm, with ball
joint, female thread connection 1/2 inch, with cleaning
system, with 95 jets, for pressure type water heater, for
continuous line heater

Line Drawing:



Water Flow Rate#:



variation: ± 15%



RAK11012 online

2/6/2021

KLUDI
RAK

"We Stand for Water Saving"