

Product: PROJECT single lever sink mixer DN 15

Ref.: RAK11010-09

Product description

single lever sink mixer DN 15
 single hole mounted
 solid lever
 ceramic cartridge with hot water safety device
 swivelling (360°) spout l = 260 mm
 PCA aerator M 24 x 1
 flow level 1.0 gpm
 flexible high pressure supply tubes 1/2 inch
 rapid installation set
 noise group I
 in accordance to EN 817

Finishes:
 05 chrome plated

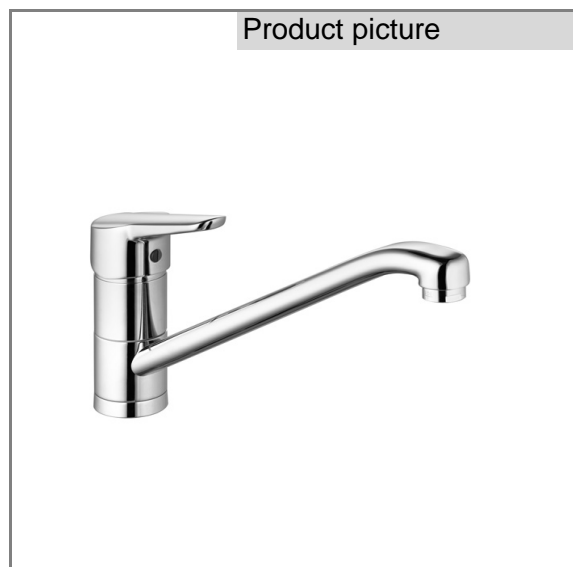
Pressure Compensating Aerator 1.0 gpm

Advertisement

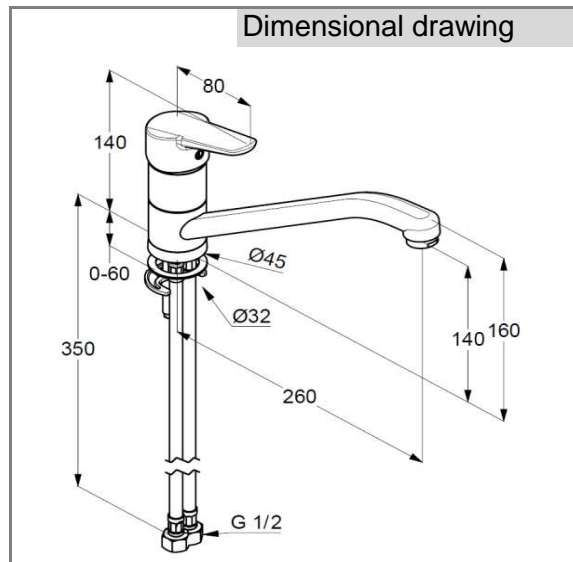
- * KLUDI RAK LLC item no. RAK11010-09
 PROJECT single lever sink mixer
- ** chrome plated brass, in accord. to EN 50930-6
- *** in accordance to EN 817
- **** ceramic cartridge K-35 with hot water safety device

single lever sink mixer, manufacturer KLUDI RAK LLC
 KLUDI RAK PROJECT item no. RAK11010-09
 type: single lever sink mixer, DN 15 / PN 10, with swivelling (360°) spout l = 260 mm,
 chrome plated brass, solid lever, noise level DIN 4109 group I, without report no.,
 chrome plated metal, ceramic cartridge K-35 with hot water safety device,
 PCA aerator M 24 x 1, flow level 1.0 gpm, flexible high pressure supply tubes 1/2 inch
 with DVGW / KIWA / WRAS / CSTBAT approval, rapid installation set
 dimensions: height 140 mm, nozzle height 140 mm, nozzle projection 260 mm,
 lever projection 80 mm

Product picture



Dimensional drawing



Flow rate diagram

