

Product: **KLUDI SIRENAFLEX-hose DN 15**

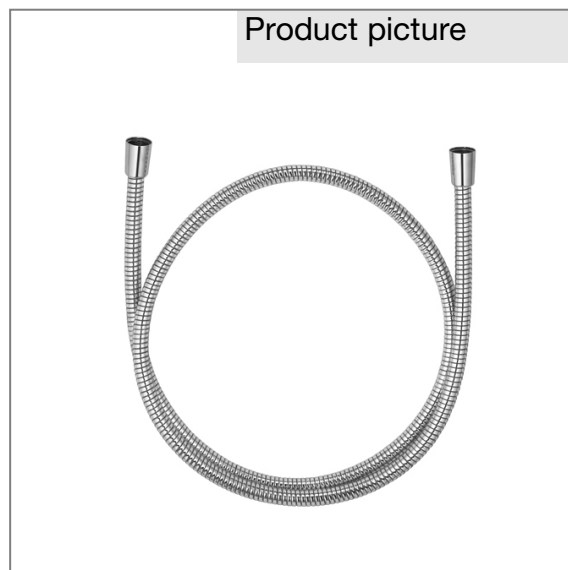
Ref.: **6100705-00**

Product description

SIRENAFLEX-hose DN 15
 plastic coated
 with metal-effect
 with conical nuts
 G 1/2 x G 1/2 x 2000 mm

Finishes:
 05 chrome

Product picture

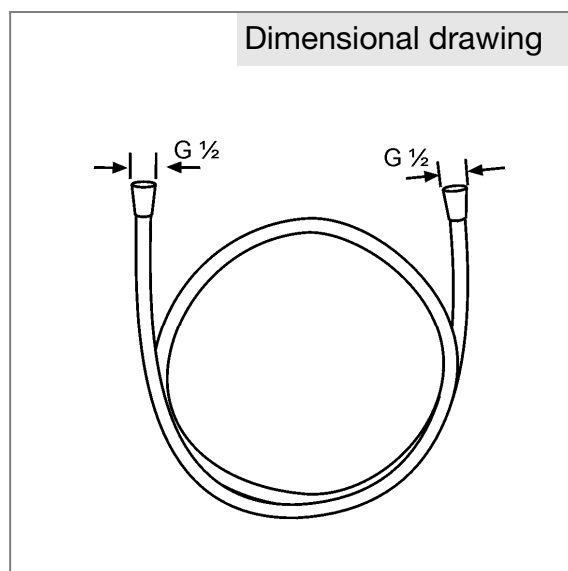


Advertisement

- * KLUDI GmbH & Co KG KLUDI SIRENAFLEX hose item no. 6100705-00
- ** plastic with metal effect
- *** DIN EN 1113

shower hose, manufacturer KLUDI GmbH & Co KG KLUDI SIRENAFLEX hose item no. 6100705-00, DN 15, with metal-effect, plastic coated, with conical nuts 1/2 x 1/2 inch x 2000 mm, PN 5,

Dimensional drawing



Flow rate diagram

