

Product: KLUDI ZENTA electronic controlled basin mixer
DN 15

Ref.: 3820205

Product description

electronic controlled basin mixer DN 15
with electric power supply via 230 V main adapter
single hole mounted
magnet-cartridge unit, with presettable temperature
without control handle
aerator M 24 x 1
flow rate 5,4 l/min at 3 bar
optical object-registration
rapid installation set
flexible high pressure supply tubes 3/8 inch with integrated back
flow preventer

Finishes:
05 chrome

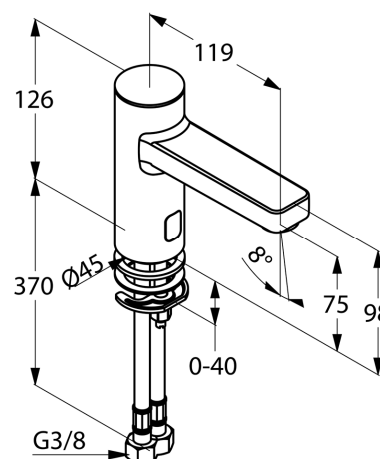
Product picture



Advertisement

Electronic controlled basin mixer, manufacturer KLUDI GmbH & Co. KG
KLUDI ZENTA item no. 3820205
type: electronic controlled basin mixer, DN 15 / PN 10, chrome plated brass, with
presettable temperature, without temperature control handle, aerator M 24 x 1, flow
rate 5,4 l/min at 3 bar, activation optoelectronic, electric power supply via 230 V
main adapter, safety class IP 65, max. warm water intake temperature 65 °C, with
functional reliability magnet-cartridge unit, valve closed in rest position, maximum
water run-time 2 minutes, flexible high pressure supply tubes with metal body 3/8
inch with integrated backflow preventer, with DVGW / W270 approval, rapid installa-
tion set
dimensions: height: 126 mm, nozzle height: 75 mm, projection: 119 mm
for pressure type water heater
(if static pressure greater than > 5 bar install a pressure reducer)

Dimensional drawing



Flow rate diagram

