

Product: **KLUDI OBJEKTA single lever basin mixer DN 15**

Ref.: **321260575**

Product description

single lever basin mixer DN 15
 single hole mounted
 solid lever
 ceramic cartridge with hot water safety device
 s-pointer Eco aerator M 24 x 1
 flow class Z
 flexible high pressure supply tubes G 3/8 inch
 rapid installation set

Finishes:
 05 chrome

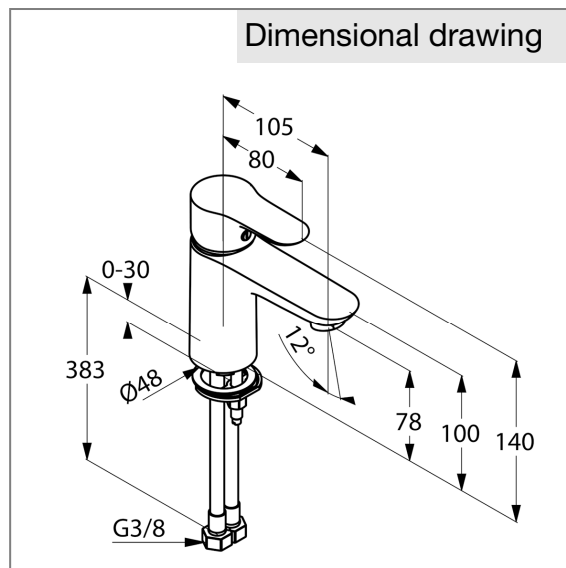
Product picture



Advertisement

single lever basin mixer, manufacturer KLUDI GmbH & Co KG
 KLUDI OBJEKTA item no. 321260575
 type: single lever basin mixer, DN 15 / PN 10, chrome plated brass, solid lever
 chrome plated metal, ceramic cartridge K-35 with hot water safety device, s-pointer
 Eco aerator M 24 x 1, flow rate 8,2 l/min at 3 bar, flexible high pressure supply tubes
 3/8 inch with DVGW / W270 approval, rapid installation set
 dimensions: height: 140 mm, nozzle height: 78 mm, projection: 105 mm, lever pro-
 jection: 80 mm

Dimensional drawing



Flow rate diagram

