

Product: **wall supply DN 15**

Ref.: **RAK6054005**

Product description

wall supply DN 15
protected against back flow
with wall flange (escutcheon)
connection 1/2 inch

Finishes :
05 chrome plated

Product picture

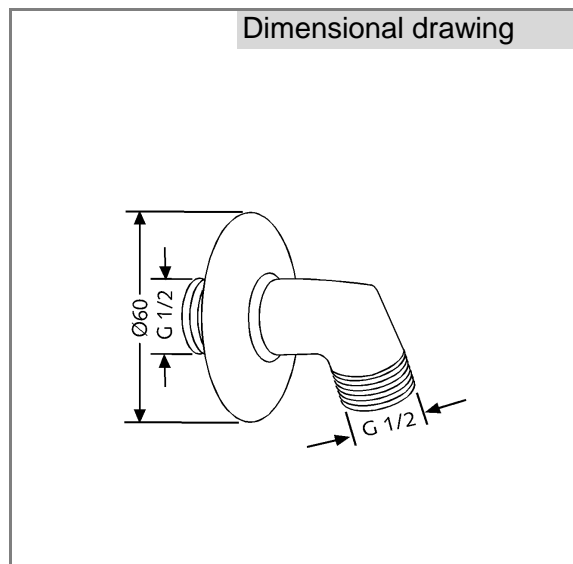


Advertisement

- * KLUDI RAK LLC item no. RAK6054005
wall supply
- ** chrome plated brass, in accord. to EN 50930-6
- *** DIN EN 1717

wall supply, manufacturer KLUDI RAK LLC
KLUDI RAK item no. RAK6054005
type: wall supply, DN 15 / PN 10, chrome plated brass, protected against back flow,
dimensions: rosette Ø60 mm, male connection 1/2 inch

Dimensional drawing



Flow rate diagram

