

Product: **SHOWER set 3S DN 15**

Ref.: **RAK6033105-01**

Product description

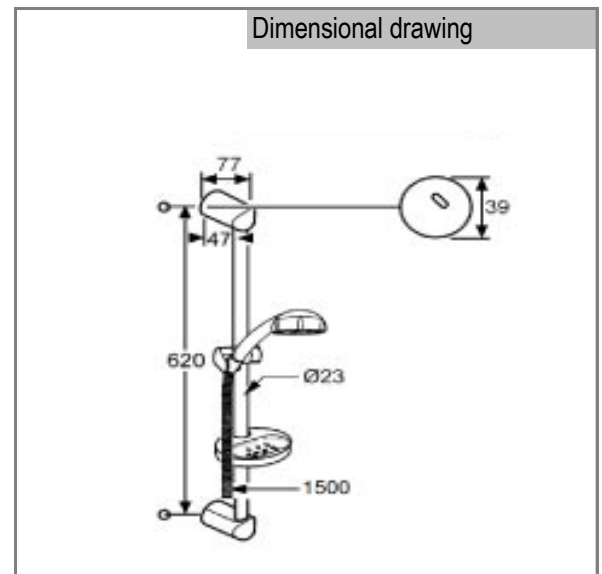
shower set 3S DN 15
 length 600mm
 wall rail with horizontally and vertically adjustable slider
 logoflex shower hose
 1/2" x 1/2" x 1600 mm
 with conical nuts
 hand shower 3S with automatic cleaning system
 rain shower / soft spray / massage spray
 adjustable to three spray patterns
 with soap dish
 with screws and dowels

Finishes:
 05 chrome plated

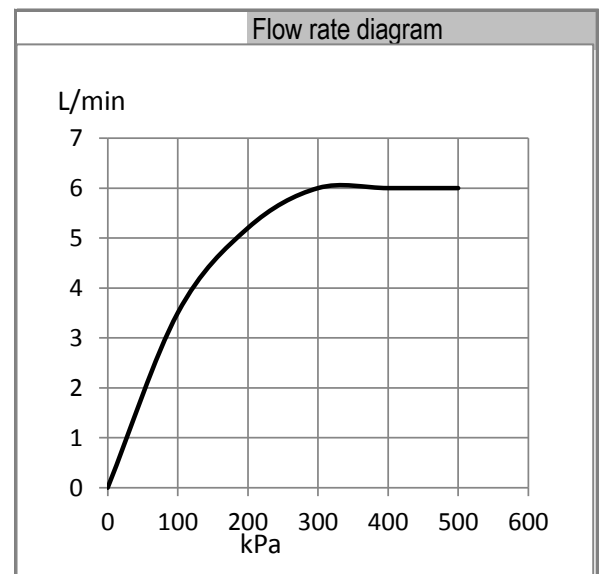
Pressure Compensating Washer 6.0ltr/min

Advertisement

- * KLUDI RAK LLC item no. RAK6033105-01
 shower set
- ** chrome plated brass/plastic
- *** in accordance to ..DIN EN 1113 / DIN EN 1112



shower set , manufacturer KLUDI RAK LLC.
 KLUDI RAK SHOWER item no. RAK6033105-01,
 type: shower set, DN 15 / PN5, shower rod length 620mm of chrome plated brass,
 with shower holder for conical nuts, with horizontally and vertically adjustable slider,
 with logo flex shower hose with metal effect and conical nuts 1/2 x 1/2inch x 1600mm,
 with fastening materials, with hand shower 3S, rain shower/soft spray/massage spray
 chrome plated plastic, noise level DIN 4109 group I, report no.
 , connection 1/2 inch male thread, with automatic cleaning system,
 with flow regulator 6.0ltr/min., for pressure type water heater, for
 continuous line heater, adjustable to three spray patterns,
 dimensions: borehole distance 620mm, pipe diameter 23mm, diameter
 shower head 78mm, hand shower length 226mm



KLUDI
RAK