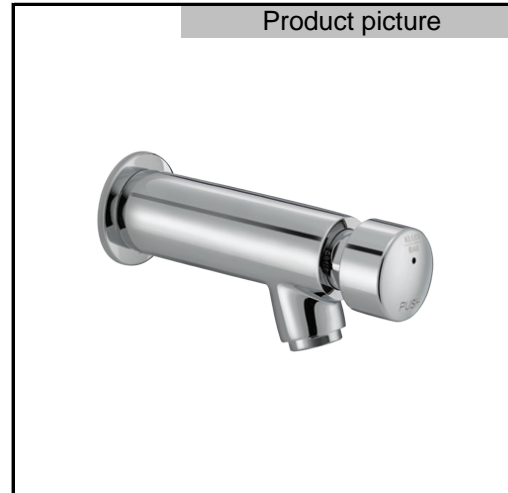


Product: **Wall Mounted Self Closing Tap -  
Push type DN 15**  
Ref.: **RAK50003**

**Product description**

self closing tap  
metal handle  
single hole wall mounted  
with S point aerator  
minimum working pressure 0.1bar  
maximum working pressure 3bar  
time of water flow 0 to 16sec  
with 2mm allen key for time adjustment

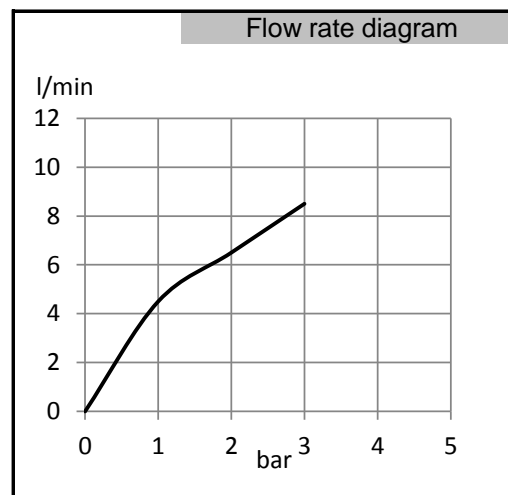
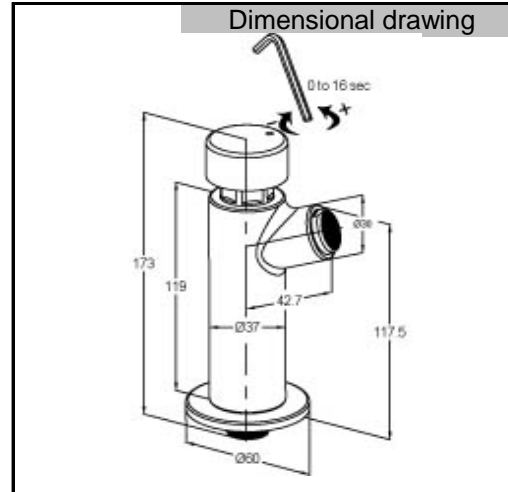
Finishes:  
05 chrome plated



**Advertisement**

- \* KLUDI RAK LLC item no. RAK50003
- \*\* chrome plated brass,.. in accord to EN 50930-6
- \*\*\* automatic close after pushing
- \*\*\*\* time of water flow 0 to 16sec
- \*\*\*\*\*working pressure 0.1 to 3bar

self closing tap wall mounted, manufacturer  
KLUDI RAK LLC.  
RAK50003, DN 15, chrome plated brass, type: push type,  
nozzle projection 117.5 mm,  
time of water flow 0 to 16sec., minimum working  
pressure 0.1bar and maximum working pressure 3bar.  
time of water flow can adjust with 2mm allen key.



**KLUDI**  
**RAK**