

Product: Self Closing Mixer DN10

Ref.: RAK50002

Product description

push type timing device
 metal handle
 single hole mounted
 with cache type aerator
 minimum working pressure 0.1bar
 maximum working pressure 3bar
 time of water flow 0 to 16sec
 with 2mm allen key for time adjustment
 flexible high pressure supply tubes 3/8inch

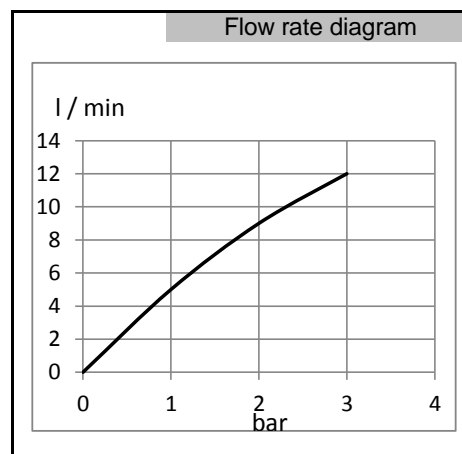
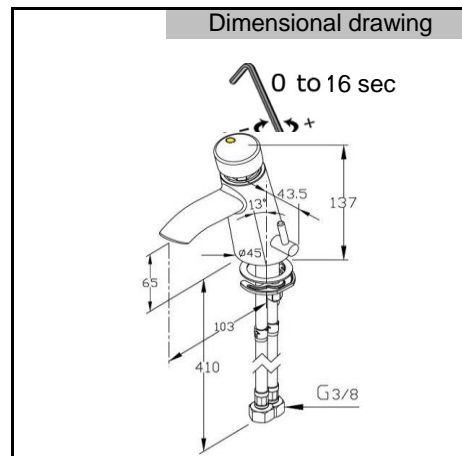
Finishes:
 05 chrome plated



Advertisement

- * KLUDI RAK LLC item no. RAK50002
- ** chrome plated brass,.. in accord to EN 50930-6
- *** automatic close after pushing
- **** time of water flow 0 to 16sec
- *****working pressure 0.1 to 3bar

self closing mixer, manufacturer KLUDI RAK LLC item no. RAK50002, DN 10, chrome plated brass, type: push type, nozzle projection 103 mm, nozzle height 65 mm. time of water flow 0 to 16sec., minimum working pressure 0.1bar and maximum working pressure 3bar. time of water flow can adjust with 2mm allen key. flexible high pressure supply tubes 3/8inch with KIWA/WRAS approval with metal body length 410mm, rapid installation kit, cache aerator M16.5x1



KLUDI
RAK