

Product: Self Closing Tap - Push type DN 15

Ref.: RAK50001

Product description

self closing tap
metal handle
single hole mounted
with cache type aerator

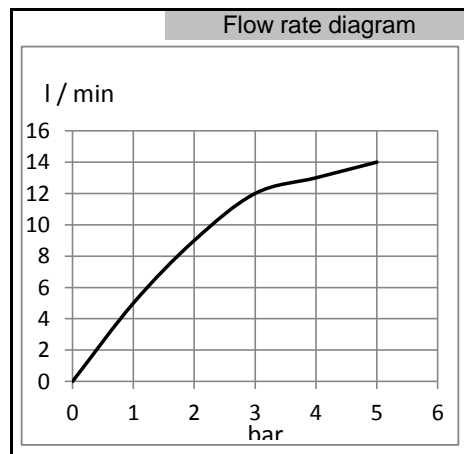
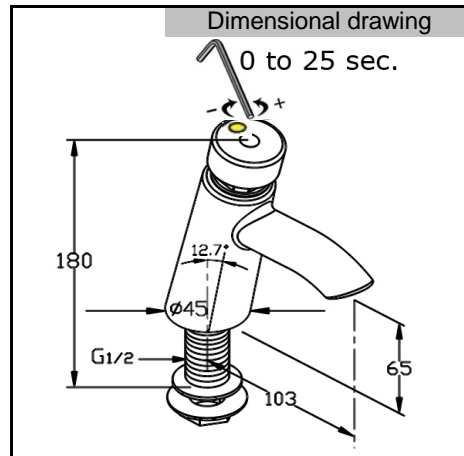
Finishes:
05 chrome plated



Advertisement

- * KLUDI RAK LLC item no. RAK50001
- ** chrome plated brass,.. in accord to EN 50930-6
- *** automatic close after pushing
- **** time of water flow is 16±5sec

self closing tap, manufacturer KLUDI RAK LLC item no. RAK50001, DN 15, chrome plated brass, type: push type, nozzle projection 103 mm, nozzle height 65 mm. maximum time of water flow 25sec.



KLUDI
RAK