

Product: **shower arm DN 15**

Ref.: **RAK 45001**

Product description

Shower arm DN15
 Projection 135mm
 with sliding cover plate
 Male thread 1/2 inch

Finishes:
 05 chrome plated

Advertisement

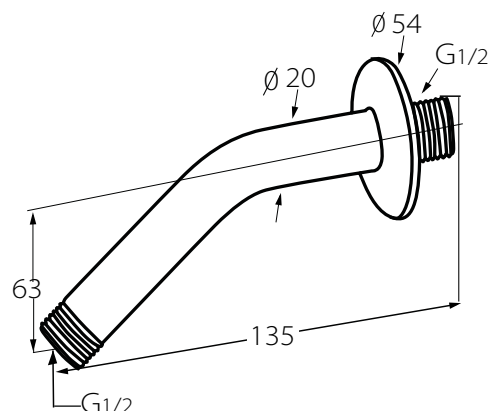
* KLUDI RAK LLC Shower arm item no: RAK 45001
 ** chrome plated brass, DIN EN 50930-6

Shower arm Manufacturer KLUDI RAK LLC shower arm
 item no: RAK45001 DN15, chorme plated brass, rigid shower
 arm for shower with ball joint, diameter rosette \varnothing 54.3mm
 Projection 135mm, male thread connection 1/2 inch.

Product picture



Dimensional drawing



Flow rate diagram

KLUDI

RAK