

**Product:** concealed bath/shower mixer,  
pre-installation set DN 15  
**Ref.:** RAK38621

**Product description**

pre-installation set DN 15  
without trim set  
in-wall installation  
flow class BB  
ceramic cartridge with hot water safety device  
P-IX 6711/IBB

**Advertisement**

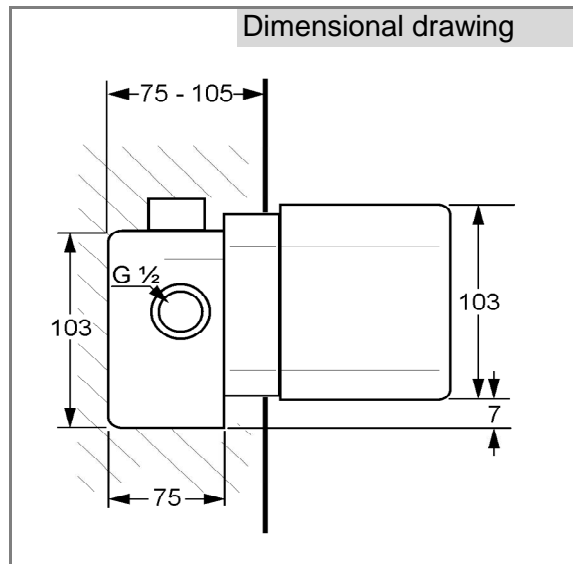
- \* KLUDI RAK LLC item no. RAK38621  
concealed bath/shower mixer, pre-installation set DN 15
- \*\* brass, in accord. to EN 50930-6
- \*\*\* in accordance to EN 817
- \*\*\*\* ceramic cartridge K-35 with hot water safety device

concealed bath/shower mixer pre-installation set, manufacturer KLUDI RAK LLC  
KLUDI RAK item no. RAK38621  
type: concealed bath/shower mixer pre-installation set, DN 15 / PN 10,  
brass, ceramic cartridge K-35 with hot water safety device, flow class BB (max. 0,42 l/s),  
noise level DIN 4109 group I, P-IX 6711 / IBB, for use with automatic diverter: shower  
to bath tub, for pressure type water heater, for continuous line heater  
dimensions: installation depth 75 to 105 mm, connection 1/2 inch, without trim set

Product picture



Dimensional drawing



Flow rate diagram

