

Product: **ZENSOR electronic controlled basin mixer DN 15**

Ref.: **RAK3810105**

**Product description**

electronic controlled basin mixer DN 15  
 with 9 V Alkaline Battery  
 single hole mounted  
 magnet-cartridge unit, with mixing shaft  
 with control handle  
 aerator M 24 x 1  
 flow rate 4,8 l/min at 3 bar  
 optical object-registration  
 rapid installation set  
 flexible high pressure supply tubes 1/2 inch with integrated back flow preventer

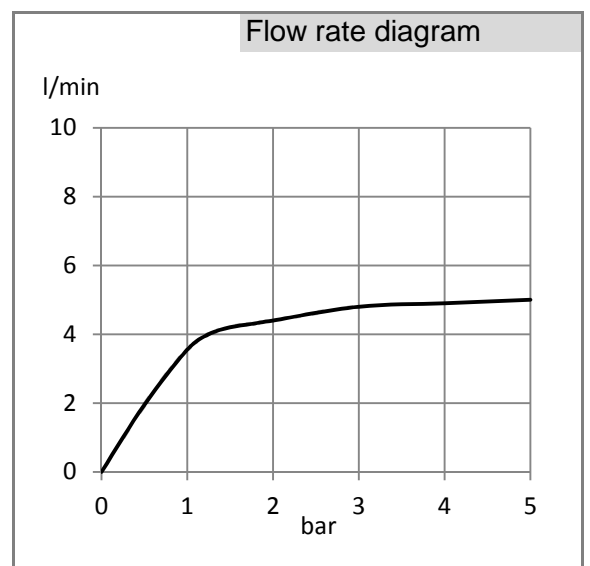
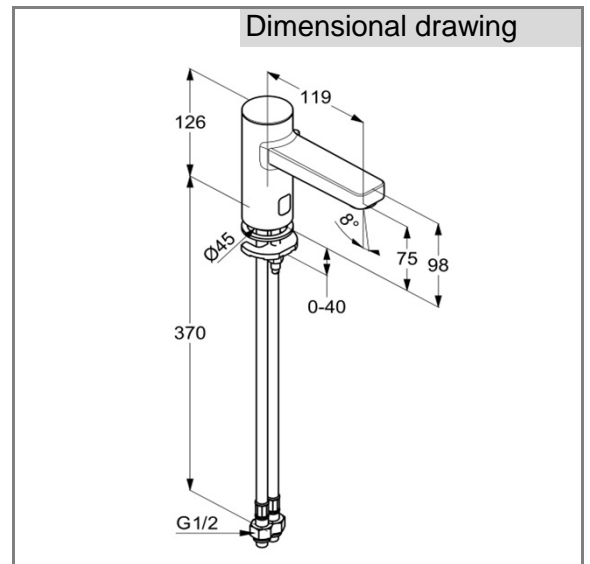
Finishes:  
 chrome plated



**Advertisement**

- \* KLUDI RAK LLC item no. RAK3810105  
 ZENSOR electronic controlled basin mixer
- \*\* chrome plated brass, in accord. to EN 50930-6

electronic controlled basin mixer, manufacturer KLUDI GmbH & Co. KG  
 KLUDI RAK ZENSOR item no. RAK3810105  
 type: electronic controlled basin mixer, DN 15 / PN 10, chrome plated brass, with mixing shaft and temperature control handle, aerator M 24 x 1, flow rate 4,8 l/min at 3 bar, activation optoelectrical, with 9 V Alkaline Battery, usage of 6 V Lithium Battery CR-P2 possible, battery is outside of basin mixer maintenance-friendly in an external battery box, safety class IP 65, max. warm water intake temperature 65 °C, with functional reliability magnet-cartridge unit, valve closed in rest position, maximum water run-time 2 minutes, flexible high pressure supply tubes with metal body 1/2 inch with integrated back flow preventer with DVGW / W270 approval, rapid installation set  
 dimensions: height: 126 mm, nozzle height: 75 mm, projection: 119 mm  
 for pressure type water heater  
 (if static pressure greater than > 5 bar install a pressure reducer)



**KLUDI**  
**RAK**