

Product: PREMIER dual controlled sink mixer DN10 with swivel spout
Ref.: RAK35000

Product description

metal handle
 swivel spout
 aerator M22 x 1
 flexible hose DN 10
 single hole mounted
 flow class A
 in accordance to EN 200

Finishes:
 05 chrome plated

Product picture

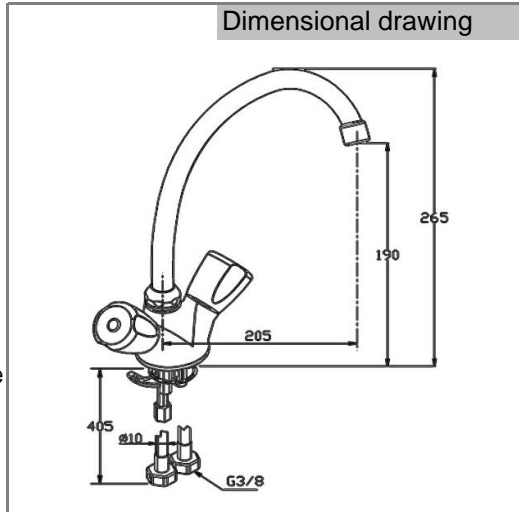


Advertisement

- * KLUDI RAK LLC item no. RAK35000
- ** chrome plated brass, in accord. to EN 50930-6
- *** in accordance to EN 200
- **** classic head work

dual controlled sink mixer DN 10, manufacturer KLUDI RAK LLC item no. PREMIER RAK 35000, DN 10, chrome plated brass, with swivel spout, classic head parts, handles with marking red / blue, handles terralux chrome plated metal, nozzle height 190 mm, nozzle projection 205 mm, total height 265 mm, for pressure type water heater, continuous line heater,

Dimensional drawing



Flow rate diagram

