

Product: **POLO Single-lever sink mixer DN 10**

Ref.: **RAK30004**

**Product description**

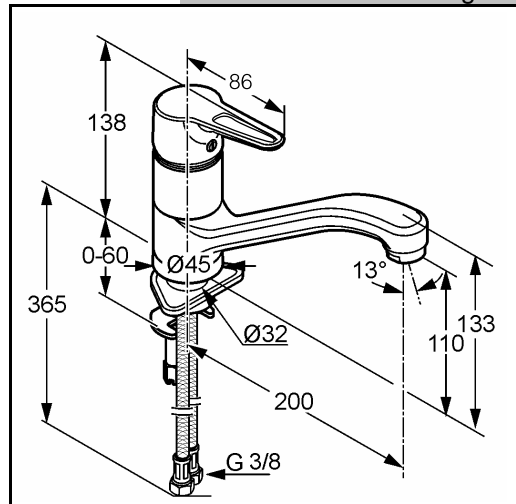
solid lever  
 single hole mounted  
 flow class A  
 aerator M 24 x I  
 ceramic cartridge with hot water safety device  
 swivel cast spout  
 flexible high pressure supply tubes 3/8 inch  
 rapid installation set  
 in accordance to ..EN 817

Finishes:  
 05 chrome plated

**Product picture**



**Dimensional drawing**

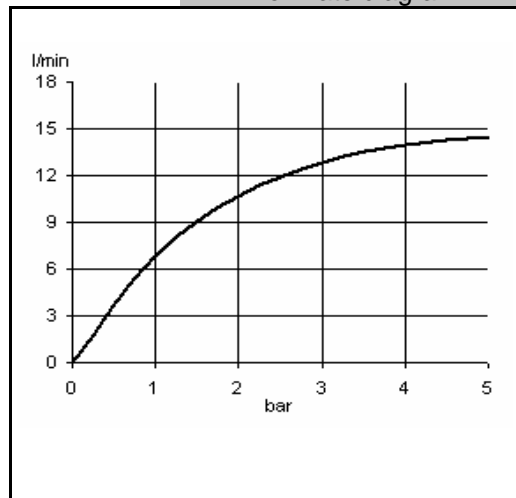


**Advertisement**

- \* KLUDI RAK LLC item no. RAK30004
- \*\* chrome plated brass, in accord. to ..EN 50930-6
- \*\*\* in accordance to .. EN 817
- \*\*\*\* ceramic cartridge with hot water safety device  
 Ø 35 mm

single-lever sink mixer, manufacturer KLUDI RAK LLC item no. RAK30004, DN 10, chrome plated brass, type: single lever sink mixer, with swivel cast spout, solid lever, lever projection 84 mm, with areator M 24 x I, noise level DIN EN 4109 group I, report no. P- IX., flow class A (max. 0,25 l/s), nozzle projection 200 mm, rapid installation set, flexible high pressure supply tubes G 3/8 with DVGW / KIWA / WRAS approv. with metal body length 365 mm, ceramic cartridge with hot water safety device Ø 35 mm, overall length 133 mm, nozzle height 110 mm, for borehole diameter min. 32 mm, for pressure type water heater, continuous line heater,

**Flow rate diagram**



**KLUDI**  


---

  
**RAK**