

**Product:** POLO Single-lever shower mixer DN 15

**Ref.:** RAK30003

**Product description**

solid lever  
 wall fastening  
 flow class B  
 ceramic cartridge with hot water safety device  
 protected against back flow  
 shower outlet 1/2 inch  
 S-unions 1/2 x 3/4 inch  
 with 1 S Hand-held shower  
 with shower hose 1/2 x 1/2 inch x 1500 mm  
 with Wall-mounted shower holder

Finishes:  
 05 chrome plated

**Advertisement**

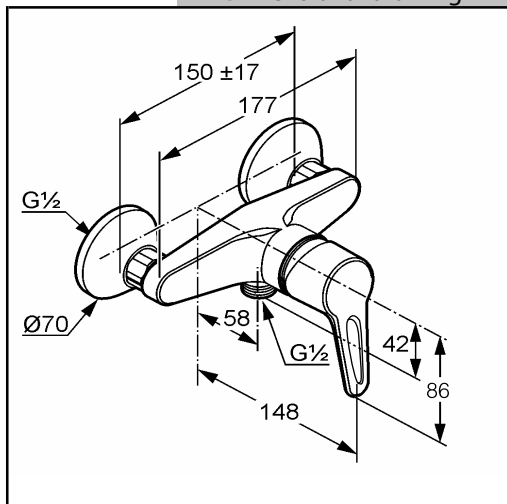
- \* KLUDI RAK LLC item no. RAK30003
- \*\* chrome plated brass, in accord. to ..EN 50930-6
- \*\*\* in accordance to .. EN 817, ..EN1717
- \*\*\*\* ceramic cartridge with hot water safety device  
 Ø 35 mm

single-lever shower mixer, wall fastening, manufacturer KLUDI RAK LLC item no. RAK30003, DN 15, chrome plated brass, ceramic cartridge with hot water safety device Ø 35 mm, solid lever, noise level DIN EN 4109 group I, report no. PA- IX., type: single lever shower mixer DN 15, protected against back flow ..EN1717, shower connection 1/2 inch, S unions 1/2 x 3/4 inch, lever projection 84 mm, flow class B (max. 0,30 l/s), projection shower connection 58 mm, projection 148 mm, shower connection 1/2 inch, with Logoflex shower hose 1/2 x 1/2 inch x 1500 mm, with fixed Wall-mounted shower holder with screws and dowels, with 1 S Hand-held shower 1/2 inch with rain shower, for pressure type water heater, continuous line heater,

Product picture



Dimensional drawing



Flow rate diagram

