

Product: **POLO Single-lever bidet mixer DN 10**

Ref.: **RAK30001**

Product description

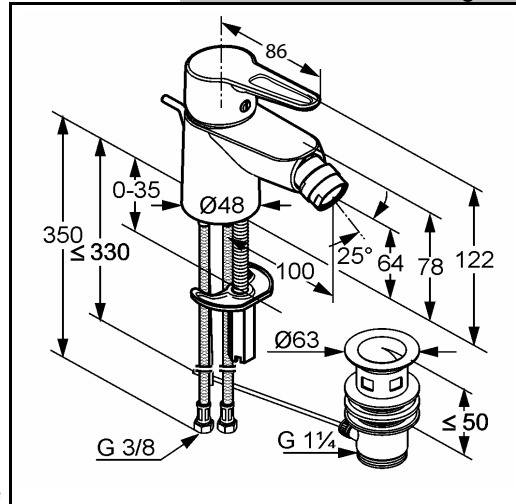
solid lever
 single hole mounted
 flow class A
 ball joint aerator M 24 x I
 ceramic cartridge with hot water safety device
 pop up waste 1 1/4 inch
 flexible high pressure supply tubes 3/8 inch
 rapid installation set
 in accordance to ..EN 817

Finishes:
 05 chrome plated

Product picture



Dimensional drawing



Advertisement

- * KLUDI RAK LLC item no. RAK30001
- ** chrome plated brass, in accord. to ..EN 50930-6
- *** in accordance to .. EN 817
- **** ceramic cartridge with hot water safety device
 Ø 35 mm

single-lever bidet mixer, manufacturer KLUDI RAK LLC item no. RAK30001, DN 10, chrome plated brass, ceramic cartridge with hot water safety device Ø 35 mm, solid lever, noise level DIN EN 4109 group I, report no. P- IX., type: single-lever bidet mixer DN 10, flow class A (max. 0,25 l/s), ball joint aerator M 24 X I A, pop up waste 1 1/4 inch, flexible high pressure supply tubes 3/8 inch with DVGW / KIWA / WRAS approv. with metal body length 350 mm, nozzle projection 100 mm, nozzle height 64 mm, lever projection 84 mm, rapid installation set, overall length 122 mm, for pressure type water heater, continuous line heater,

Flow rate diagram

