

Product picture



Product: **Click Clack Waste Fitting without Over flow hole**

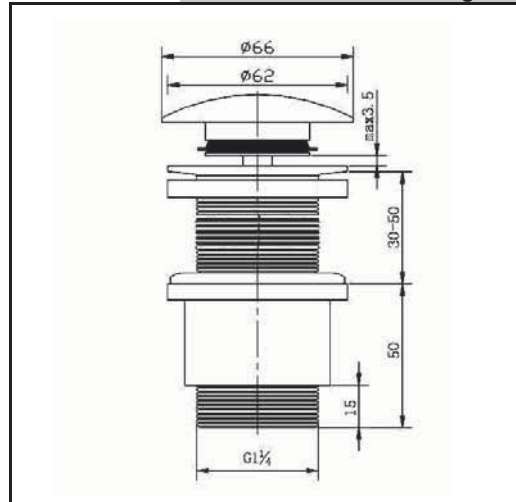
Ref.: **RAK22025UK**

Product description

Click Clack Waste 1 1/4"  
Without over flow hole

Finishes:  
05 chrome plated

Dimensional drawing



Advertisement

\* KLUDI RAK LLC item no. RAK22025UK

\*\*\* chrome plated brass, EN 50930-6

Click Clack without Over Flow Item No: RAK22025UK  
Chrome Plated Threading for Connection Point 15mm

Flow rate diagram

