

Product: **Paper roll holder**

Ref.: **RAK21015**

Product description

paper roll holder
 wall fastening
 with screws and dowels

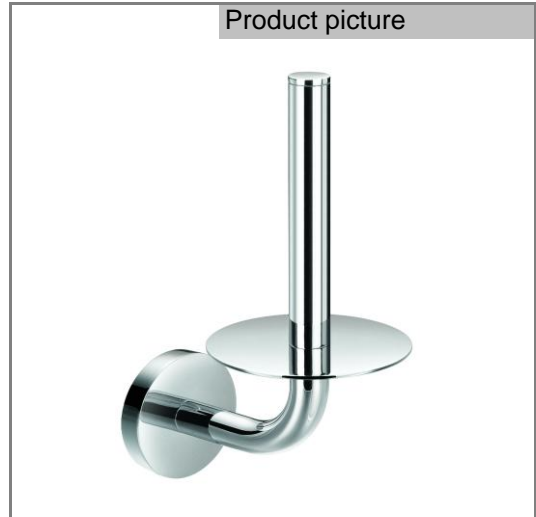
Finishes:
 05 chrome plated

Advertisement

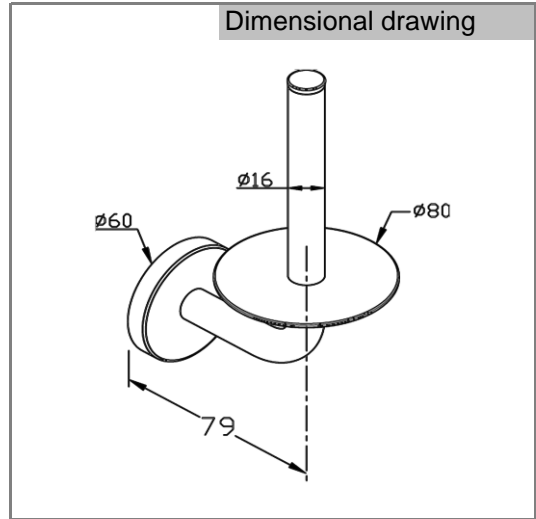
- * KLUDI RAK LLC item no. RAK21015
- ** chrome plated

paper roll holder, manufacturer KLUDI RAK LLC item no. RAK21015, wall fastening, with screws and dowels, for one roll, with a rod of Ø 16 mm, with a supporting plate of Ø 80 mm,

Product picture



Dimensional drawing



Flow rate diagram

