

Product: **PROFILE wall spout DN 20**

Ref.: **RAK14008**

Product description

wall spout DN 20
 projection 190 mm
 wall fastening
 s-pointer aerator M 24 x 1
 flow class C
 separate connector 3/4 inch for pre-installation
 pre-installation

Finishes :
 05 chrome plated

Product picture

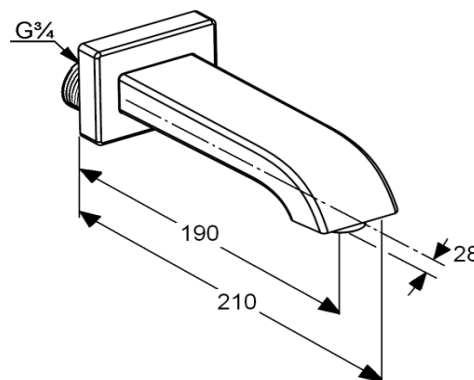


Advertisement

- * KLUDI RAK LLC item no. RAK14008
 PROFILE wall spout
- ** chrome plated brass, in accord. to EN 50930-6
- *** in accordance to EN 200

wall spout, manufacturer KLUDI RAK LLC
 KLUDI RAK PROFILE item no. RAK14008
 type: wall spout, DN 20 / PN 10, chrome plated brass, wall fastening,
 s-pointer aerator M 24 x 1, flow class C, separate connector 3/4 inch (male thread)
 for pre-installation,
 dimensions: nozzle projection 190 mm

Dimensional drawing



Flow rate diagram

