

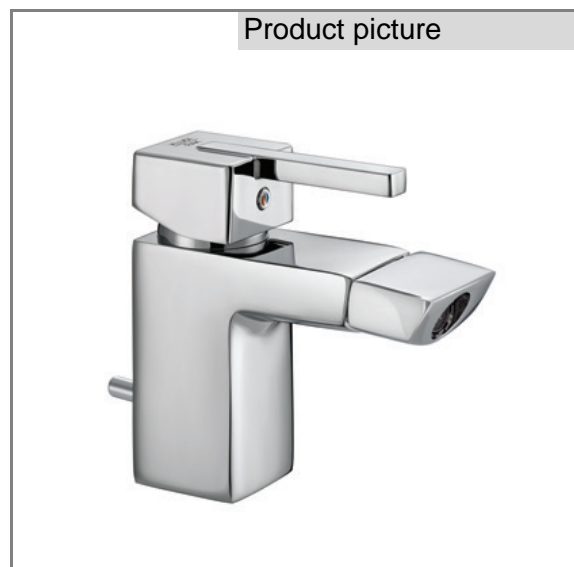
Product: **PROFILE single lever bidet mixer DN 10**

Ref.: **RAK14001**

**Product description**

single lever bidet mixer DN 10  
 single hole mounted  
 solid lever  
 ceramic cartridge with hot water safety device  
 ball joint cache aerator M 18.5 x 1  
 flow class A  
 flexible high pressure supply tubes 3/8 inch  
 rapid installation set  
 pop up waste 1 1/4 inch  
 noise group I  
 in accordance to EN 817

Finishes:  
 05 chrome plated



**Advertisement**

- \* KLUDI RAK LLC item no. RAK14001  
 PROFILE single lever bidet mixer
- \*\* chrome plated brass, in accord. to EN 50930-6
- \*\*\* in accordance to EN 817
- \*\*\*\* ceramic cartridge K-35 with hot water safety device

single lever bidet mixer, manufacturer KLUDI RAK LLC  
 KLUDI RAK PROFILE item no. RAK14001  
 type: single lever bidet mixer, DN 10 / PN 10, chrome plated brass, solid lever,  
 chrome plated metal, ceramic cartridge K-35 with hot water safety device,  
 noise level DIN 4109 group I, without report no.,  
 ball joint cache aerator M 18.5 x 1, flow class A (max. 0.25 l/s), flexible high pressure  
 supply tubes 3/8 inch with DVGW / KIWA / WRAS / CSTBAT approval, rapid  
 installation set, with pop up waste 1 1/4 inch  
 dimensions: height 130 mm, nozzle height 72 mm, nozzle projection 102 mm,  
 lever projection 85 mm

