

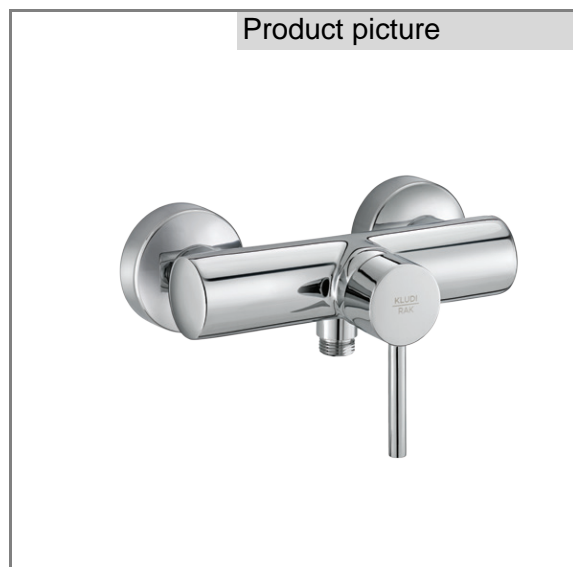
Product: **PRIME single lever shower mixer DN 15**

Ref.: **RAK12008**

Product description

single lever shower mixer DN 15
 wall fastening
 solid lever
 flow class B
 ceramic cartridge with hot water safety device
 shower connection 1/2 inch
 protected against back flow
 S-unions 1/2 x 3/4 inch
 in accordance to EN 817

Finishes:
 05 chrome plated



Advertisement

- * KLUDI RAK LLC item no. RAK12008
 PRIME single lever shower mixer
- ** chrome plated brass, in accord. to EN 50930-6
- *** in accordance to EN 817 , EN 1717
- **** ceramic cartridge K-35 with hot water safety device

single lever shower mixer, manufacturer KLUDI RAK LLC
 KLUDI RAK PRIME item no. RAK12008
 type: single lever shower mixer, DN 15 / PN 10, chrome plated brass, solid lever,
 chrome plated metal, ceramic cartridge K-35 with hot water safety device, protected
 against back flow EN 1717, shower connection 1/2 inch, flow class B (0.42 l/s),
 wall fastening, S-unions 1/2 x 3/4 inch, for pressure type water heater,
 for continuous line heater
 dimensions: projection 130 mm, projection shower connection 55 mm,
 lever projection 85 mm

