

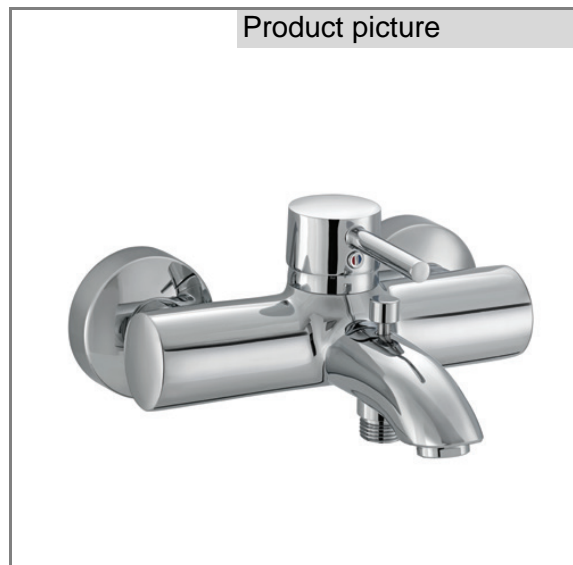
Product: **PRIME single lever bath and shower mixer DN 15**

Ref.: **RAK12004**

**Product description**

single lever bath and shower mixer DN 15  
 wall fastening  
 solid lever  
 ceramic cartridge with hot water safety device  
 aerator M 24 x 1  
 flow class C B  
 automatic diverter: shower to bath tub  
 shower connection 1/2 inch  
 protected against back flow  
 S-unions 1/2 x 3/4 inch  
 in accordance to EN 817

Finishes:  
 05 chrome plated



**Advertisement**

- \* KLUDI RAK LLC item no. RAK12004  
 PRIME single lever bath and shower mixer
- \*\* chrome plated brass, in accord. to EN 50930-6
- \*\*\* in accordance to EN 817 , EN 1717
- \*\*\*\* ceramic cartridge K-35 with hot water safety device

single lever bath and shower mixer, manufacturer KLUDI RAK LLC  
 KLUDI RAK PRIME item no. RAK12004  
 type: single lever bath and shower mixer, DN 15 / PN 10, chrome plated brass,  
 solid lever, chrome plated metal, ceramic cartridge K-35 with hot water safety device,  
 with automatic diverter: shower to bath tub, protected against back flow EN 1717,  
 wall fastening, bath tub filler with aerator M 24 x 1, flow class C B,  
 shower connection 1/2 inch, S-unions 1/2 x 3/4 inch  
 dimensions: projection shower connection 112 mm, nozzle projection 170 mm,  
 lever projection 85 mm

