

Product: **PRIME single lever bidet mixer DN 10**

Ref.: **RAK12003**

Product description

single lever bidet mixer DN 10
 single hole mounted
 solid lever
 ceramic cartridge with hot water safety device
 ball joint aerator M 24 x 1
 flow class A
 flexible high pressure supply tubes 3/8 inch
 rapid installation set
 pop up waste 1 1/4 inch
 in accordance to EN 817

Finishes:
 05 chrome plated

Product picture

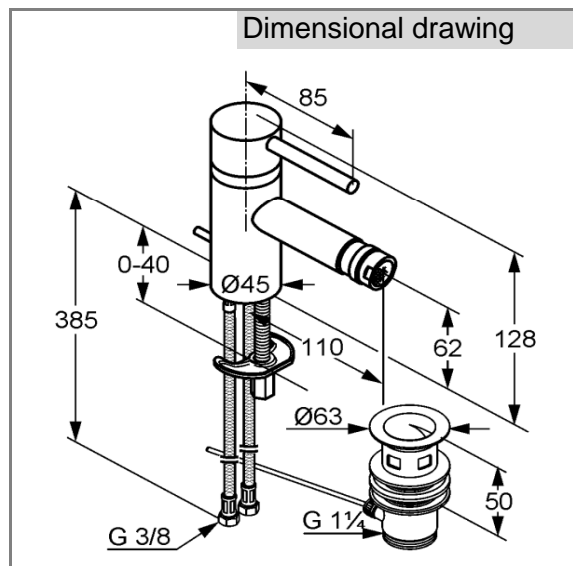


Advertisement

- * KLUDI RAK LLC item no. RAK12003
 PRIME single lever bidet mixer
- ** chrome plated brass, in accord. to EN 50930-6
- *** in accordance to EN 817
- **** ceramic cartridge K-35 with hot water safety device

single lever bidet mixer, manufacturer KLUDI RAK LLC
 KLUDI RAK PRIME item no. RAK12003
 type: single lever bidet mixer, DN 10 / PN 10, chrome plated brass, solid lever,
 chrome plated metal, ceramic cartridge K-35 with hot water safety device,
 ball joint aerator M 24 x 1, flow class A (max. 0.25 l/s), flexible high pressure supply
 tubes 3/8 inch with DVGW / KIWA / WRAS / CSTBAT approval, rapid
 installation set, with pop up waste 1 1/4 inch
 dimensions: height 128 mm, nozzle height 62 mm, nozzle projection 110 mm,
 lever projection 85 mm

Dimensional drawing



Flow rate diagram

