

Product: PRIME single lever basin mixer DN 10
with raised base for use with counter-top basin
Ref.: RAK12001

Product description

single lever basin mixer high DN 10
single hole mounted
solid lever
with raised base for use with counter-top basin
ceramic cartridge with hot water safety device
cache aerator M 16.5 x 1
flow level 12.0 l/min
flexible high pressure supply tubes 3/8 inch
rapid installation set
without pop up waste
in accordance to EN 817

Finishes:
05 chrome plated

Advertisement

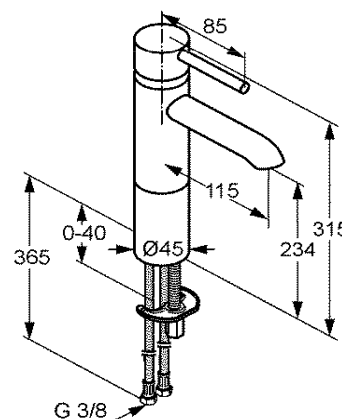
- * KLUDI RAK LLC item no. RAK12001
PRIME single lever basin mixer with raised base for use with counter-top basin
- ** chrome plated brass, in accord. to EN 50930-6
- *** in accordance to EN 817
- **** ceramic cartridge K-35 with hot water safety device

single lever basin mixer high, manufacturer KLUDI RAK LLC
KLUDI RAK PRIME item no. RAK12001
type: single lever basin mixer high, DN 10 / PN 10, chrome plated brass, solid lever,
chrome plated metal, ceramic cartridge K-35 with hot water safety device,
cache aerator M 16.5 x 1, flow level 12.0 l/min, flexible high pressure supply
tubes 3/8 inch with DVGW / KIWA / WRAS / CSTBAT approval, rapid installation set
dimensions: height 315 mm, nozzle height 234 mm, nozzle projection 115 mm,
lever projection 85 mm

Product picture



Dimensional drawing



Flow rate diagram

