

**Product:** Wall mounted bath spout with automatic diverter  
DN 20

**Ref.:** RAK11013

**Product description**

wall spout with automatic diverter DN 20  
wall fastening  
flow class BB  
aerator M 28 x I  
automatic diverter: shower to bath tub  
shower outlet 1/2 inch  
protected against back flow  
with sliding cover plate  
projection 170 mm

Finishes:  
chrome plated

**Product picture**

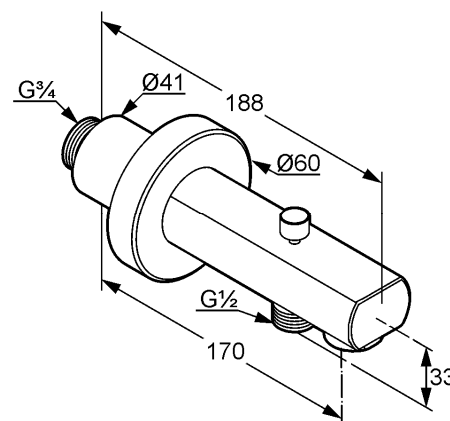


**Advertisement**

- \* KLUDI RAK LLC wall spout with automatic diverter item no. RAK11013
- \*\* chrome plated brass, DIN 50930-6
- \*\*\* DIN EN 200 / DIN EN 1717

wall spout with diverter DN 20, manufacturer KLUDI RAK LLC wall spout with diverter item no. RAK11013, DN 20, chrome plated brass, with male connection 3/4 inch, noise level DIN EN 4109 group I, without report no., flow class B (max. 0,42 l/s), aerator M 28 x I B, nozzle projection 170 mm, bath filler, with sliding cover plate, with automatic diverter: shower to bath tub, shower connection 1/2 inch, protected against back flow DIN EN 1717, for pressure type water heater, for continuous line heater,

**Dimensional drawing**



**Flow rate diagram**

