

**Product:** Overhead shower Ø 200 mm DN 15

**Ref.:** RAK11012

**Product description**

overhead shower DN 15  
 Ø 200 mm  
 with swivel ball joint  
 ½" inch female thread  
 without shower arm

Finishes:  
 chrome plated

**Product picture**

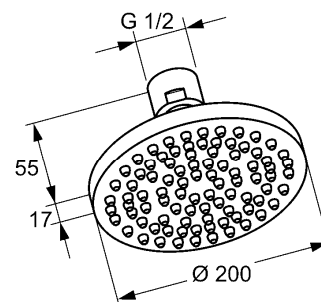


**Advertisement**

- \* KLUDI RAK LLC overhead shower item no. RAK11012
- \*\* chrome plated brass/plastic
- \*\*\* ajar to DIN EN 1112

overhead shower, manufacturer KLUDI RAK LLC overhead shower item no. RAK11012, DN 15, chrome plated brass/plastic, flow rate at 3 bar max. 0,63 l/s, noise level DIN EN 4109 group I, without report no., diameter overhead shower 200 mm, with ball joint, female thread connection 1/2 inch, with cleaning system, with 120 jets, for pressure type water heater, for continuous line heater,

**Dimensional drawing**



**Flow rate diagram**

