

Product: **Wall mounted bath spout DN 20**

Ref.: **RAK10007**

Product description

wall spout DN 20
 wall fastening
 flow class B
 aerator M 28 x I
 with sliding cover plate
 projection 170 mm

Finishes:
 chrome plated

Product picture

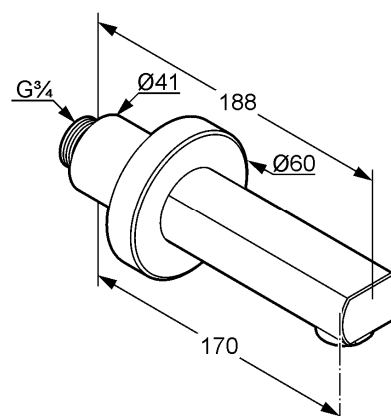


Advertisement

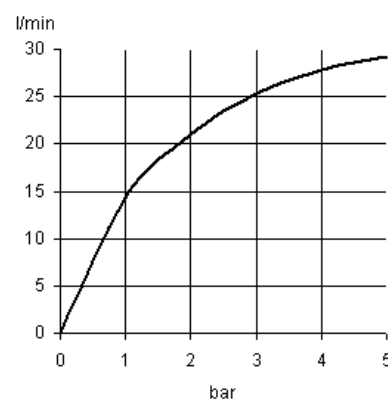
- * KLUDI RAK LLC wall spout item no. RAK10007
- ** chrome plated brass, DIN 50930-6
- *** DIN EN 200

wall spout DN 20, manufacturer KLUDI RAK LLC wall spout item no. RAK10007, DN 20, chrome plated brass, with male connection 3/4 inch, noise level DIN EN 4109 group I, without report no., flow class B (max. 0,42 l/s), aerator M 28 x I B, nozzle projection 170 mm, with sliding cover plate, for pressure type water heater, for continuous line heater,

Dimensional drawing



Flow rate diagram



Durchflussklasse B
 flow class B