

Product: Dual shower system L = 1300 mm

Ref.: 6167705-00

Product description

solid lever
 wall fastening
 two-way ceramic diverter
 hand-/head-shower
 swivel headshower with normal spray
 with 1 S Hand-held shower 1/2 inch
 ridgeless adjustable shower holder
 vertically and horizontally adjustable shower holder
 shower hoses with metal cover 1/2 inch
 with fixing kit

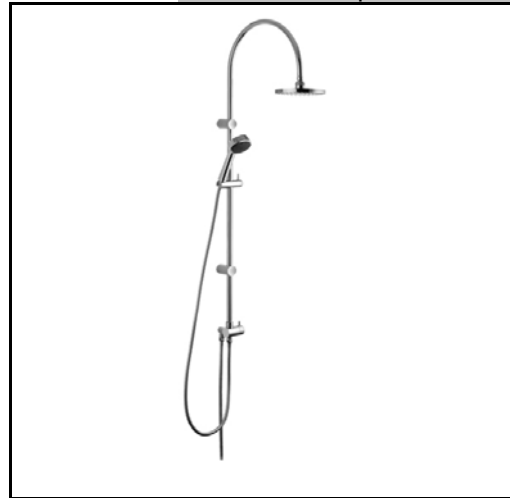
Finishes:
 05 chrome plated

Advertisement

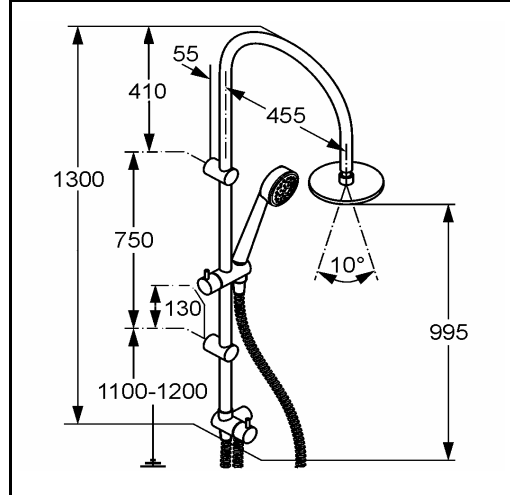
- * KLUDI RAK LLC Dual shower system item no. 6167705-00
- ** chrome plated brass
- *** two way ceramic diverter
- **** in acc. to DIN EN 1112/ 1113

Dual shower system DN 15, manufacturer KLUDI RAK LLC
 Dual shower system item no. 6167705-00, DN 15, chrome plated brass, type: dual shower system DN 15 for combination with single lever shower mixer or thermostat shower mixer with protection against back flow DIN EN 1717, for wall fastening, with ceramic two-way diverter, with 1 S hand-held shower with shower spray DN 15, with cleaning system, noise level in accordance to DIN EN 4109, group I, with metal shower hose 1/2 inch length 800 mm for conection between shower system and shower mixer, with metal shower hose 1/2 inch length 1500 mm for using the hand-held shower, chrome plated headshower with 89 shower sprays with normal spray, swivel range 10 °, for pressure type water heater, for continuous line heater, with fixing kit, without shower mixer DN 15, with one fixed wall holder (above) and one adjustable wall holder (lower) for borehole distance 620 - 750 mm,

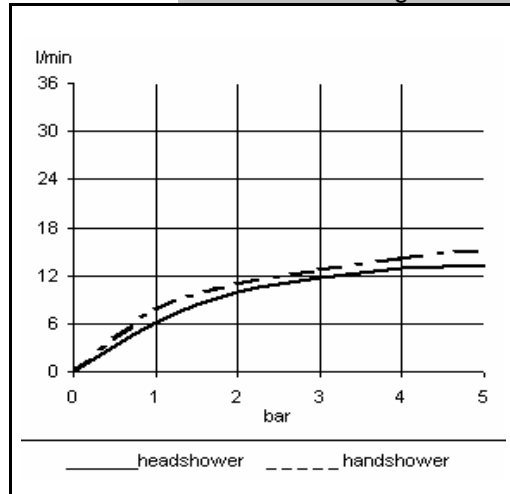
Product picture



Dimensional drawing



Flow rate diagram



KLUDI
RAK