

Product: **PRIME 3 S Shower set DN 15**

Ref.: **6083005-00**

Product description

L = 600

Wall bar with floating slider and shower hose
 shower hose G 1/2" x G 1/2" x 1600 mm
 with conical nuts
 Hand-held shower with quick lime deposit cleaning system
 jet kind: rain shower, soft spray, massage spray
 connection G 1/2"

Finishes:
 05 chrome plated

Advertisement

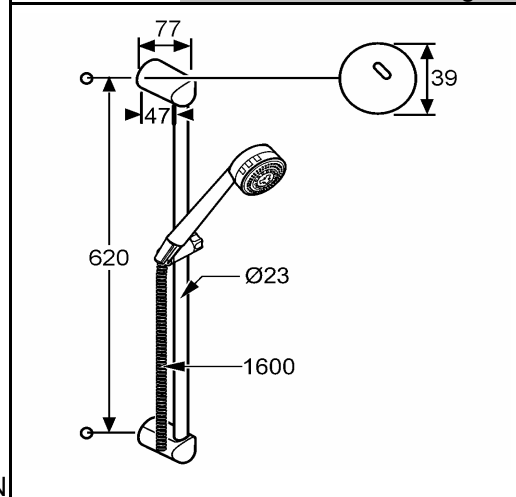
- * KLUDI RAK LLC 3 S Shower set item no. 6083005-00
- ** chrome plated brass/plastic
- *** handshower in acc. to DIN EN 1112

3 S Shower set, manufacturer KLUDI RAK LLC item no. 6083005-00, 3 S Shower set with horizontal and vertical adjustable slider, Wall bar chrome plated brass/plastic, length 600 mm, for borehole distance 620 mm, sliding bar with pipe diameter 23 mm, with shower hose G 1/2" x G 1/2" x 1600 mm with conical nuts, with Hand-held shower 3 S, DN 15, chrome plated plastic, noise level DIN EN 4109 Group I, without report no., flow class B (max. 0,33 l/s), with quick lime deposit cleaning system, jet kind: rain shower / soft spray / massage spray, for pressure type water heater, for continuous line heater (at 0,15 l/s), connection G 1/2", diameter shower head Ø 84 mm, length 230 mm, for using with water pressure 1 - 5 bar,

Product picture



Dimensional drawing



Flow rate diagram

