

Product: **PRIME 2 S Bathtub set DN 15**

Ref.: **6075005-00**

Product description

Hand-held shower
with quick lime
deposit cleaning system
jet kind: rain shower, soft spray
connection G 1/2"
shower hose G 1/2" x G 1/2" x 1250 mm
with conical nuts
fixed wall hook with screws and dowels

Finishes:
05 chrome plated

Advertisement

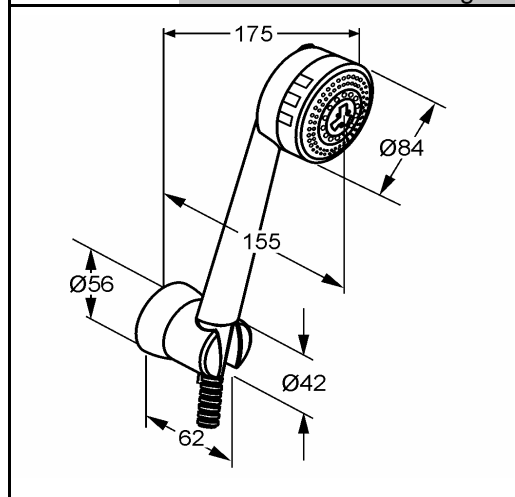
- * KLUDI RAK LLC Bathtub set 2 S DN 15
item no. 6075005-00
- ** chrome plated brass/plastic
- *** handshower in acc. to DIN EN 1112

Bathtub set 2 S, manufacturer KLUDI RAK LLC item no. 6075005-00, DN 15 chrome plated plastic, noise level DIN EN 4109 Group I, without report no., flow class B (max. 0,33 l/s), with quick lime deposit cleaning system, jet kind: rain shower / soft spray, for pressure type water heater, for continuous line heater (at 0,15 l/s), connection G 1/2", diameter shower head Ø 84 mm, length 230 mm, for using with water pressure 1 - 5 bar, with shower hose G 1/2" x G 1/2" x 1250 mm with conical nuts, with fixed wall hook with screws and dowels,

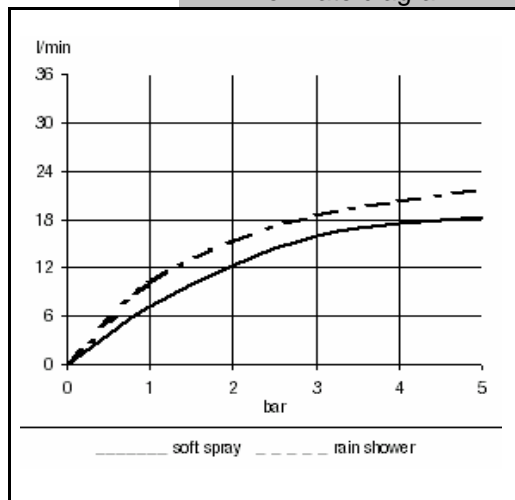
Product picture



Dimensional drawing



Flow rate diagram



KLUDI
RAK