

Product: **PRIME 1 S Hand-held shower DN 15**

Ref.: **6060005-00**

Product description

Hand-held shower
with quick lime
deposit cleaning system
jet kind: rain shower
connection G 1/2"

Finishes:
05 chrome plated

Advertisement

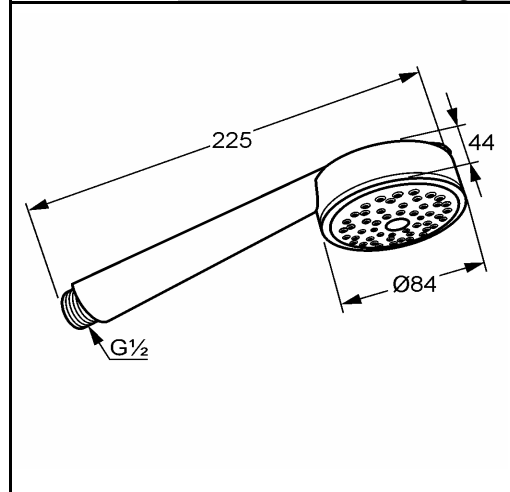
- * KLUDI RAK LLC Hand-held shower 1 S
item no. 6060005-00
- ** chrome plated plastic
- *** in acc. to DIN EN 1112

Hand-held shower 1 S, manufacturer KLUDI RAK LLC item no. 6060005-00, DN 15 chrome plated plastic, noise level DIN EN 4109 Group I, without report no., flow class B (max. 0,33 l/s), with quick lime deposit cleaning system, jet kind: rain shower, for pressure type water heater, for continuous line heater (at 0,15 l/s), connection G 1/2", diameter shower head Ø 84 mm, length 225 mm, for using with water pressure 1 - 5 bar,

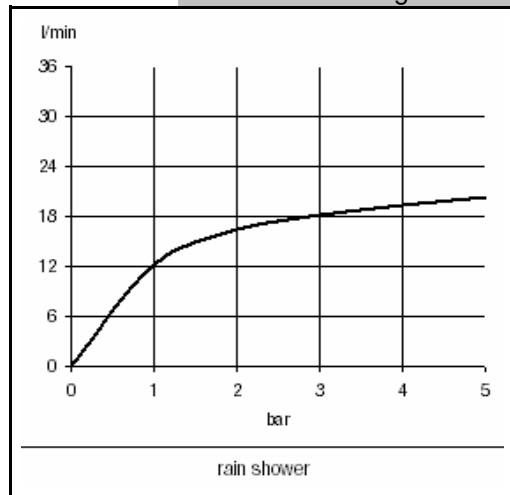
Product picture



Dimensional drawing



Flow rate diagram



KLUDI
RAK