

Product: **SHOWER 3 S Hand-held shower DN 15**

Ref.: **6030005-81**

Product description

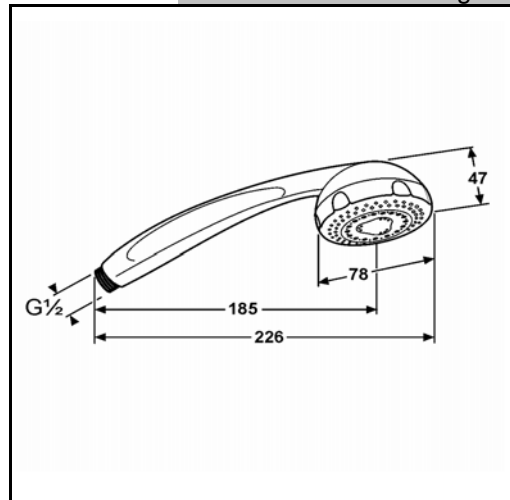
Hand-held shower
with quick lime
deposit cleaning system:
rain shower
soft spray
massage spray
P- IX 18067 / IB

Finishes:
05 chrome plated

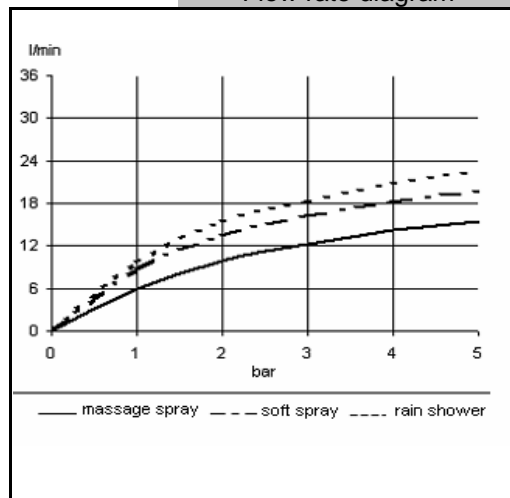
Product picture



Dimensional drawing



Flow rate diagram



Advertisement

- * KLUDI RAK LLC item no. 6030005-81
- ** chrome plated plastic
- *** in accord. to DIN EN 1112

Hand-held shower, manufacturer KLUDI RAK LLC 3 S item no. 6030005-81, DN 15, chrome plated plastic, noise level DIN EN 4109, group I report no. P- IX 18067/IB, flow class B (max. 0,42 l/s), with quick lime deposit cleaning system: rain shower / soft spray / massage spray, for pressure type water heater, for continuous line heater (from 0,22 l/s), connection 1/2 inch, diameter shower head 78 mm, length 226 mm, in accordance to DIN EN 1112,

KLUDI
RAK